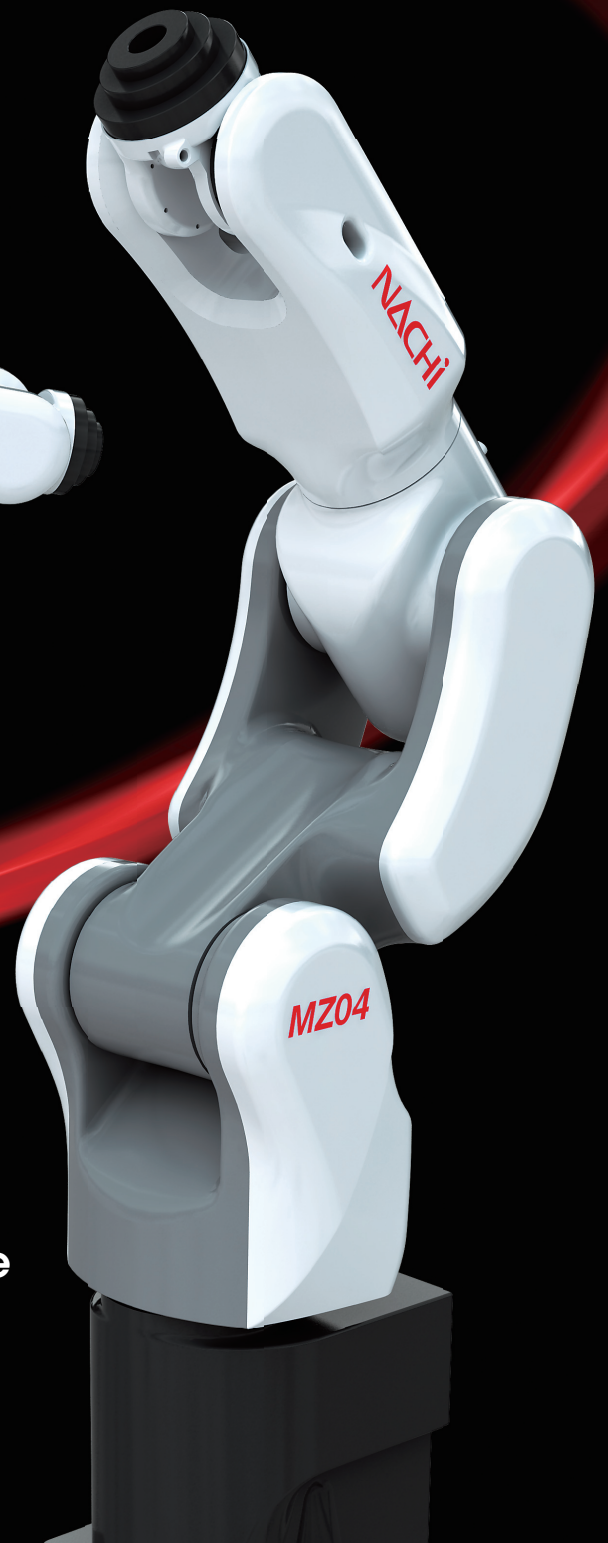


NACHI

Compact and super fast robot
from NACHI

MZ04



- Smart cable routing in hollow wrist
- Compact with a wide working envelope
- Fastest operating speed in its class improves productivity

Smart Cable Routing

Cable and tubes can be routed through hollow wrist



Cable routing improved

avoids interference with peripheral equipment
allows the arm to enter tight spaces
improved reliability with stable cable behavior during high speed operation



Basic specification of robot

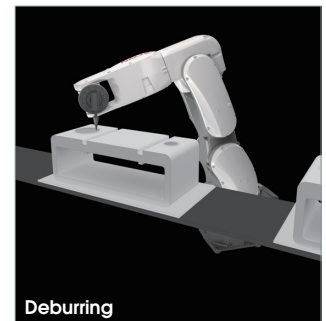
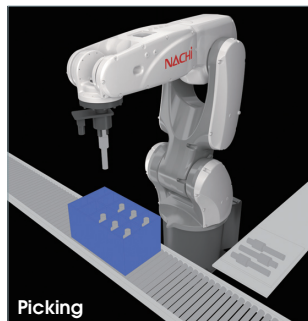
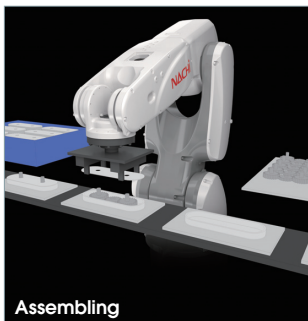
Item	Specification			
Robot Model	MZ04-01			
Number of Axis	6			
Drive System	AC Servo Drive			
Max. Speed	Arm	J1	Swivel	8.38 rad/s (480°/s)
		J2	Forward/Backward	8.03 rad/s (460°/s)
		J3	Upward/Downward	9.08 rad/s (520°/s)
	Wrist	J4/J5	Rotation 2/Bend	9.77 rad/s (560°/s)
		J6	Rotation 1	15.71 rad/s (900°/s)
Max. Payload	4 kg			
Allowable Static Loading Torque	J4/J5	Rotation 2/Bend	8.86 N·m	
	J6	Rotation 1	4.9 N·m	
Position Repeatability ²	±0.02 mm			
Ambient Temperature	0~45°C			
Installation	Floor / Wall / Tilted / Invert mount			
Robot Mass	26 kg			
Max. Reach	541 mm			
Dust Proof, Drip Proof	IP40 equivalent (IP67 specifications: Optional)			

1 (rad)=180/π (°), 1 (N·m)=1/9.8(kgf·m) *2 JIS B 8432 compliant.

Specification of controller

Item	Specification	
Controlled Axis	6-Axes	
Maximum Control Axis	7-Axes	
Program Number	9,999 programs	
Memory Capacity	256MB (2,560,000 program steps equivalent)	
Memory Device	USB Port	
External Dimension	369(W)×490(D)×173(H)	
Weight	Approx. 17kg	
Primary Power Supply	3-Phase AC200-230V ±10% Single Phase AC200-230V ±10%	
Consuming Power	0.4KVA	
Dust Proof, Drip Proof	IP20	
Ambient Temperature	0~40°C	
Ambient Humidity	20~85% (Non-condensing)	

Application Examples



●The specifications are subject to changes without notice.

●In case that an end user uses this product for military purpose or production of weapon, this product may be liable for the subject of export restriction stipulated in the Foreign Exchange and Foreign Trade Control Law. Please go through careful investigation and necessary formalities for export.

NACHI

NACHI-FUJIKOSHI CORP.

www.nachi.com

Tokyo Head Office

Shiodome Sumitomo Bldg. 17F 1-9-2 Higashi-shinbashi, Minato-ku, Tokyo 105-0021, JAPAN
Tel: +81-(0)3-5568-5245 Fax: +81-(0)3-5568-5236

Toyama Head Office

1-1-1 Fujikoshi-Honmachi, Toyama 930-8511, JAPAN
Tel: +81-(0)76-423-5111 Fax: +81-(0)76-493-5211

NACHI ROBOTIC SYSTEMS INC.

42775 W. Nine Mile Road, Novi, Michigan, 48375, U.S.A. Tel: +1-248-305-6545 Fax: +1-248-305-6542

NACHI BRASIL LTDA.

SAO PAULO BRANCH

Av. Paulista, 453, Primeiro Andar, Conj. 11, 12, 12 e 14, Cerqueira Cesar, Sao Paulo-SP, CEP: 01311-000, BRASIL
Tel: +55-11-3284-9844 Fax: +55-11-3284-1751

NACHI EUROPE GmbH

Bischofstrasse 99, 47809, Krefeld, GERMANY Tel: +49-(0)2151-65046-0 Fax: +49-(0)2151-65046-90

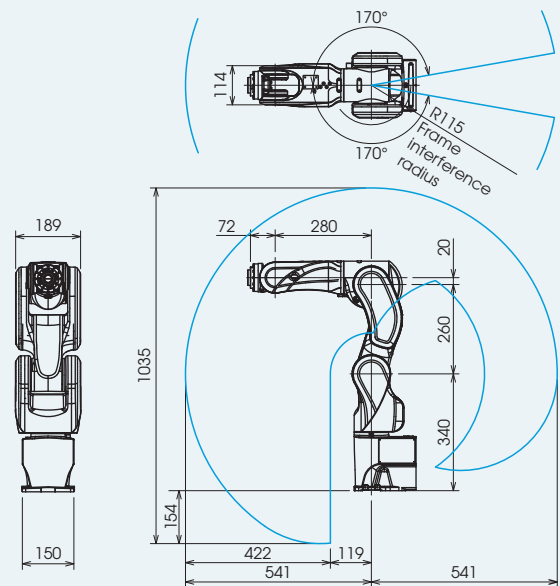
NACHI TECHNOLOGY (THAILAND) CO., LTD. BANGKOK SALES OFFICE

Unit 23/109(A), Fl.24th Sorachai Bldg., 23 Sukhumvit 63 Road(Ekamai),
Klongtonnua, Wattana, Bangkok 10110, THAILAND Tel: +66-2-714-0008 Fax: +66-2-714-0740

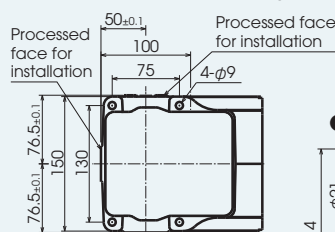
PT.NACHI INDONESIA

J.I.H.R.Rasuna Said Kav.X-O Kuningan, Jakarta 12950, INDONESIA Tel: +62-021-527-2841 Fax: +62-021-527-3029

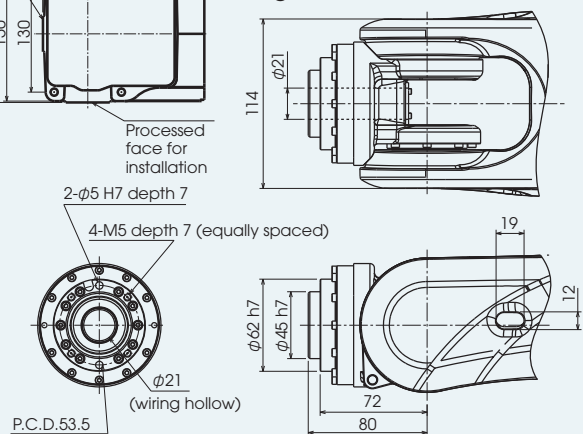
●Robot dimensions and Working envelope



●Robot base dimensions diagram



●Detail of wrist



CATALOG NO.

R7703E

2014.12.V-ABE-ABE