

New Category Robot
WING SLICER Type

EZ03



Downsizing the equipment

- Installation of the inverted mount provides space saving for equipment layout.

High speed operation with the shortest path

- Thanks to its slim arm, high speed operation is possible.
- Inverted mounting allows the robot to travel the shortest path.

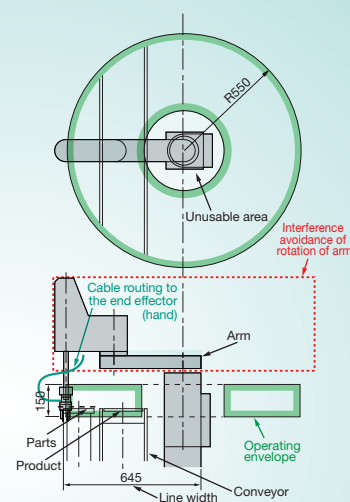
Smart cable routing

- A large, 36 mm-diameter hole in the tip of the wrist.
- With all wires and tubes built into the machine body, the risk of interference is reduced and reliability is improved.

Various options

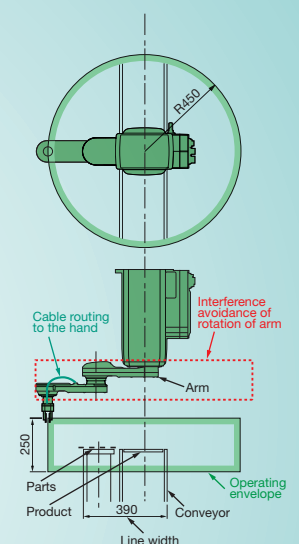
- User can select a combination of appropriate arm length and controller from 4 lineups.

Conventional Scara robot
Floor mount (550 mm reach)



EZ03

Inverted mount (450 mm reach)



EZ03

Robot model

EZ03 V 4□-02-□□ □□

① ② ③ ④ ⑤ ⑥ ⑦ ⑧

- ① EZ series
- ② Payload (03)
- ③ Installation: V = Inverted, F = Floor
- ④ Number of axes: 4
- ⑤ IP: D = IP65, blank = standard (IP20)
- ⑥ Version
- ⑦ Maximum reach (input the first two digits): 450 or 550 (45, 55)
- ⑧ Amount of Z-axis movement (input the first two digits): 150 or 250 (15, 25)

Robot specifications

Item	Specifications				
Robot model	EZ03V4-02-4525	EZ03V4-02-4515	EZ03F4-02-5525	EZ03F4-02-5515	
Structure	Horizontal articulated				
Number of axes	4				
Drive system	AC servo system				
Max. operating envelope	J1	250mm	150mm	250mm	150mm
	J2	±170°			
	J3	±180°		±145°	
	J4	±360°			
Max. velocity*5	J1	1400mm/s	1200mm/s	1400mm/s	1200mm/s
	J2	450°/s			
	J3	720°/s			
	J4	2400°/s			
Payload	2 kg (3kg)				
Allowable moment of inertia for wrist*1	J4	0.05kg·m ² (0.005 kg·m ² rated)			
Position repeatability*2	±0.014mm				
Max. reach	450mm		550mm		
Air piping	φ6×2				
Application wirings	10 wires				
Installation	Inverted mount		Floor mount		
Ambient conditions	Ambient temperature: 0~45°C*3 Ambient humidity: 20~85%RH (without condensation) Vibration: Not more than 0.5G (4.9m/s ²)				
Environmental conditions*4	IP20, IP65 (Option)				
Noise level*6	70dB				
Robot mass	42kg		43kg		

1[rad] = 180/π[°], 1[N·m] = 1/9.8[kgf·m]
* Explosion-proof version is not available.

- *1: The Allowable moment of inertia of a wrist changes with the load conditions of a wrist.
- *2: This value conforms to "JIS B 8432".
- *3: Permitted height is not higher than 1,000m above sea level. If used in a higher place, permitted temperature is affected.
- *4: Fluids that cause the deterioration of sealants, such as gasoline-based cutting fluids, chlorine, alkali, acids, and organic solvents, cannot be used.
- *5: The maximum velocity in the chart is a maximum value. The maximum value may change depending on work programs and load conditions of the wrist.
- *6: A-weighted equivalent sound level measured according to JIS Z 8737-1 (ISO 11201). (while operating at maximum speed with rated load)

- The specifications are subject to changes without notice.
- In case that an end user uses this product for military purpose or production of weapon, this product may be liable for the subject of export restriction stipulated in the Foreign Exchange and Foreign Trade Act. Please go through careful investigation and necessary formalities for export.

NACHI-FUJIKOSHI CORP.

Tokyo Head Office

Shiodome Sumitomo Bldg. 17F 1-9-2 Higashi-shinbashi,
Minato-ku, Tokyo 105-0021, JAPAN
Tel: +81-(0)3-5568-5245 Fax: +81-(0)3-5568-5236

Toyama Head Office

1-1-1 Fujikoshi-Honmachi, Toyama 930-8511, JAPAN
Tel: +81-(0)76-423-5111 Fax: +81-(0)76-493-5211

NACHI ROBOTIC SYSTEMS INC.
42775 West 9 Mile Road Novi, Michigan, 48375, U.S.A.
Tel: +1-248-305-6545 Fax: +1-248-305-6542
URL: <http://www.nachirobotics.com/>
E-mail: marketing@nachirobotics.com

NACHI BRASIL LTDA.
Avenida João XXIII, No.2330, Jardim São Pedro, Mogi das Cruzes, S.P., CEP 08830-000, BRASIL
Tel: +55-11-4793-8813
URL: <http://www.nachi.com.br/>

NACHI EUROPE GmbH
Bischofstrasse 99, 47809, Krefeld, GERMANY
Tel: +49-(0)2151-65046-0 Fax: +49-(0)2151-65046-90
URL: <http://www.nachirobotics.eu/>

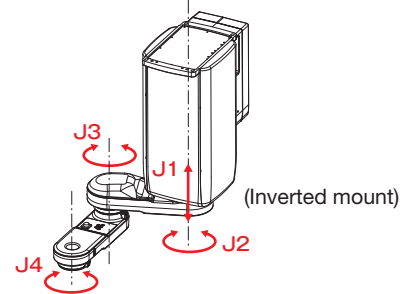
NACHI TECHNOLOGY (THAILAND) CO., LTD.

BANGKOK SALES OFFICE
Unit 23/109(A), Fl.24th Sorachai Bldg., Sukhumvit 63 Road(Ekamai), Klongtonnua, Wattana, Bangkok 10110, THAILAND
Tel: +66-2-714-0008 Fax: +66-2-714-0740

PT.NACHI INDONESIA
TEMPO PAVILION I, 7FL JL. HR Rasuna Said Kav. 10-11 Setiabudi Jakarta Selatan DKI Jakarta -12950, INDONESIA
Tel: +62-021-527-2841 Fax: +62-021-527-3029

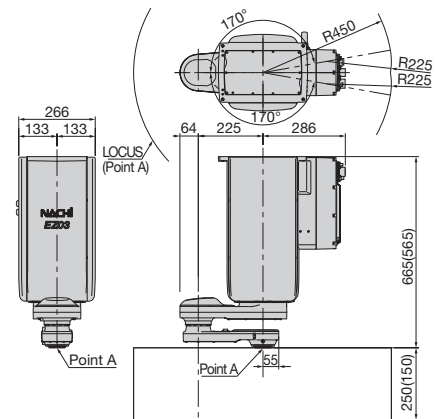
NACHI KG TECHNOLOGY INDIA PVT. GURGAON HEAD OFFICE
Unit No.207, 2nd Floor, Sewa Corporate Park, MG Road, Iffco Chowk, Gurgaon 122001, Haryana, INDIA
Tel: +91-(0)12-4450-2900 Fax: +91-(0)12-4450-2910

Operating envelope and exterior dimensions



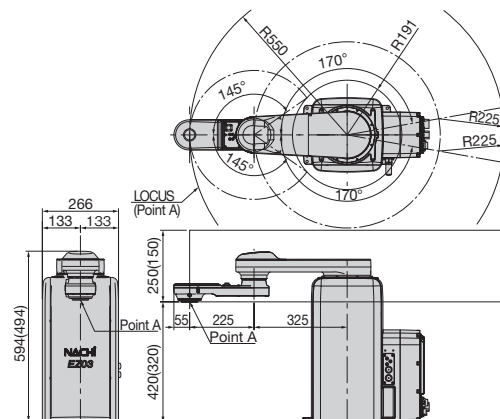
EZ03V4-02-4525 (Inverted mount)

* The values in () are for EZ03V4-02-4515.



EZ03F4-02-5525 (Floor mount)

* The values in () are for EZ03F4-02-5515.



CATALOG NO. R7801E-5

2016.07.V-ABE-ABE