



**TRIO**  
MOTION | TECHNOLOGY

A MEMBER OF THE **ESTUN** GROUP

# TRIO MOTION TECHNOLOGY **MX MOTORS & CABLES**

- THE MOTION SPECIALIST -

# MXL Motors

## Low Inertia High Speed Servo Motors

Motors Matched to DX Drives

The MXL family of servo motors include solutions with 17-bit or 23-bit encoders, are suitable for application speeds up to 6000 rpm, include variants with an integrated brake.

Low inertia allows very fast response times and these motors develop a very high torque despite their small size. In combination with our servo drives, they are ideal for applications with high dynamic responses and fast and precise positioning.

Our servo drive systems can be used in a wide range of applications thanks to their high performance, available power range and compact dimensions.

### AT A GLANCE

- \* Power range:  
50W to 3kW (200V)  
1kW to 5kW (400V)
- \* Low inertia
- \* Rated speed 3000 RPM (Max speed 6000 RPM)
- \* 23-bit absolute encoder or 17-bit absolute encoder
- \* IP65 rated
- \* Oil seal as standard
- \* Optional brake
- \* Compatible with Trio DX drives



**40mm**  
50W – 100W

**60mm**  
200W – 400W

**80mm**  
750W – 1kW

**100mm**  
1.5kW – 2kW

**130mm**  
3kW – 5kW

# MXL Motors

## Low Inertia High Speed Servo Motors

### Specifying Your Motors

Model	Rated Power	Supply Voltage	Flange	Rated Speed	Encoder	Revision	Shaft End	Option	Connector Type
<b>MXL -</b>	<b>04</b>	<b>A</b>	<b>06</b>	<b>30</b>	<b>L</b>	<b>A</b>	<b>2</b>	<b>2</b>	<b>2</b>

A5	0.05kW
01	0.1kW
02	0.2kW
<b>04</b>	<b>0.4kW</b>
08	0.75kW
10	1kW
15	1.5kW
20	2kW
30	3kW
40	4kW
50	5kW

<b>A</b>	<b>200V</b>
D	400V

04	40mm
<b>06</b>	<b>60mm</b>
08	80mm
10	100mm
13	130mm

30	3000RPM
T	17 Bit abs
<b>L</b>	<b>23 Bit abs</b>

2	With Key
2	With oil seal
4	Oil + brake
2	IP65
4	On motor



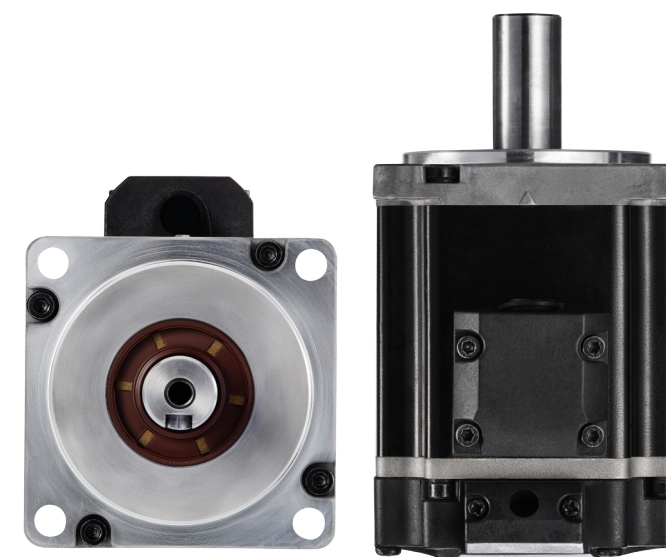
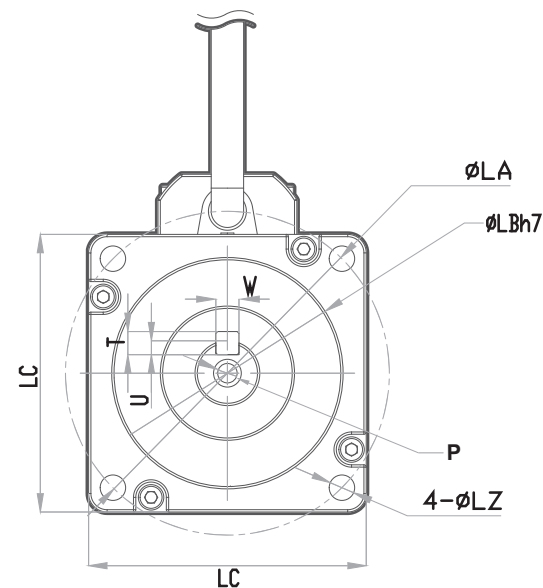
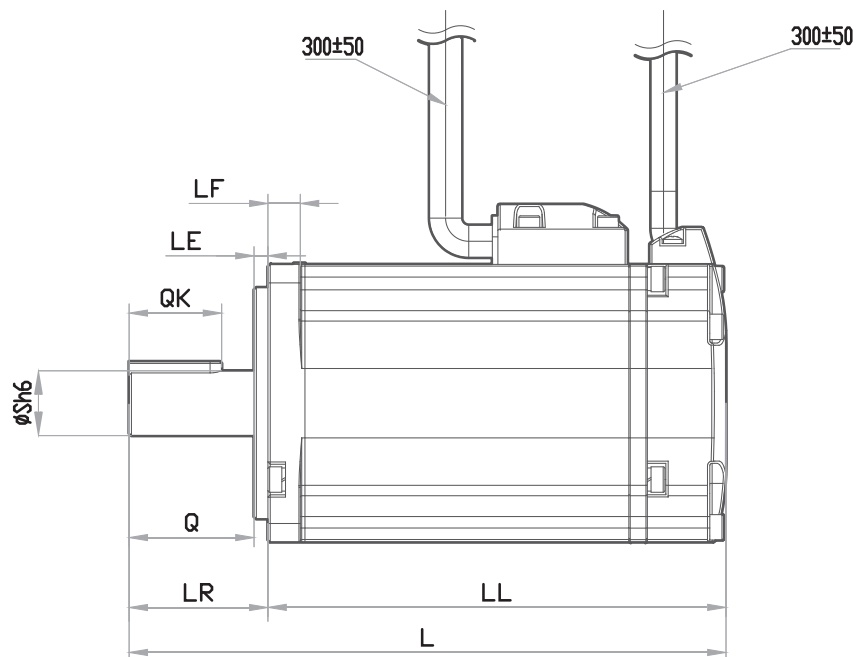
	MXL	DX3	DX4	DX5
200V	50W	✓	✓	
	100W	✓	✓	✓
	200W	✓	✓	✓
	400W	✓	✓	✓
	750kW	✓	✓	✓
	1kW	✓	✓	
	1.5kW	✓	✓	
	2kW	✓	✓	
	3kW		✓	
	400V	1.5kW	✓	
2kW		✓		
3kW		✓		
4kW		✓		
5kW		✓		



# MXL Motors

## 50W - 1kW

### Specification



Power W	MXL-	L	LL	Flange Side							S	P	Key				
				LR	LE	LF	LC	LA	LB	LZ			QK	W	T	U	Q
50	A5AL	87.5 (121)	62.5 (96)	25	2.5	5	40	46	30	4.3	8	M3x 6	14	22	3	3	22.5
100	01AL	103.5 (137)	78.5 (112)	25	2.5	5	40	46	30	4.3	8	M3x 6	14	22.5	3	3	22.5
100	01AT	113.5 (147)	88.5 (122)	25	2.5	5	40	46	30	4.3	8	M3x 6	14	22.5	3	3	27
200	02AL	108 (137)	78 (102)	30	3	7	60	70	50	5.5	14	M5x 12	20	27	5	5	27
200	02AT	126.5 (155.5)	96.5 (125.5)	30	3	7	60	70	50	5.5	14	M5x 12	20	27	5	5	37
400	04AL	129 (158)	99 (128)	30	3	7	60	70	50	5.5	14	M5x 12	20	27	5	5	37
400	04AT	147.5 (176.5)	117.5 (146.5)	30	3	7	60	70	50	5.5	14	M5x 12	20	27	5	5	27
750	08AL	151 (184)	111 (144)	40	3	8	80	90	70	6.6	19	M6x 12	25	37/35	6	6	27
750	08AT	167.5 (200.5)	127.5 (160.5)	40	3	8	80	90	70	6.6	19	M6x 12	25	37	6	6	37
1000	10AL	165 (198)	125 (158)	40	3	8	80	90	70	6.6	19	M6x 12	25	37	6	6	37
1000	10AT	185 (214.5)	141.5 (175.5)	40	3	8	80	90	70	6.6	19	M6x 12	25	37	6	6	37

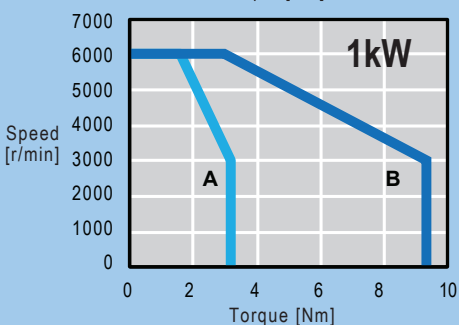
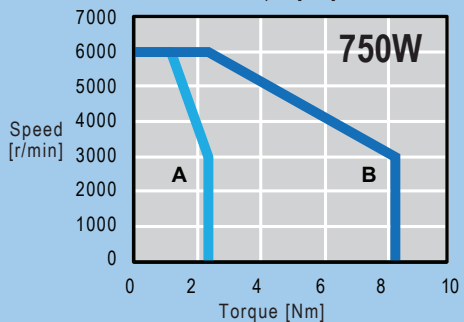
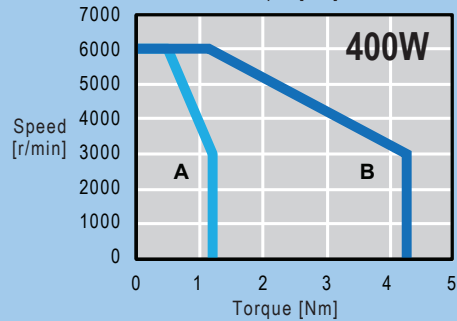
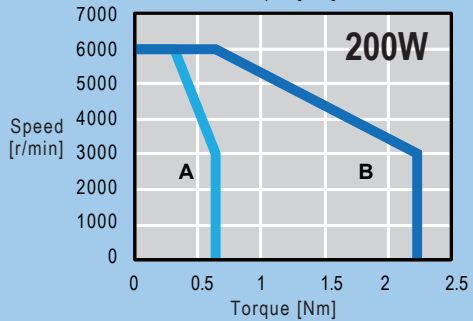
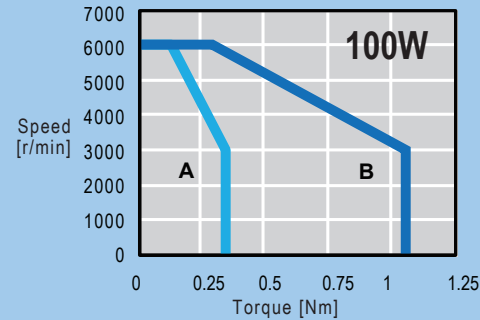
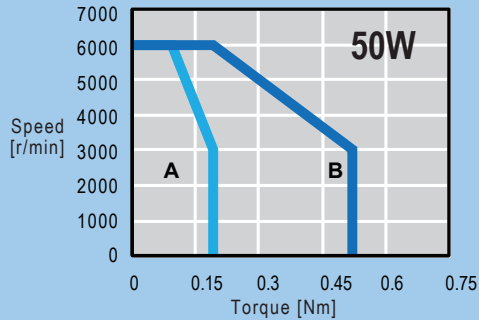
N.B: Numbers in parentheses represent the value with brake.



# MXL Motors

## 50W - 1kW

### Specification



A: Continuous Working Area  
B: Cyclic Working Area

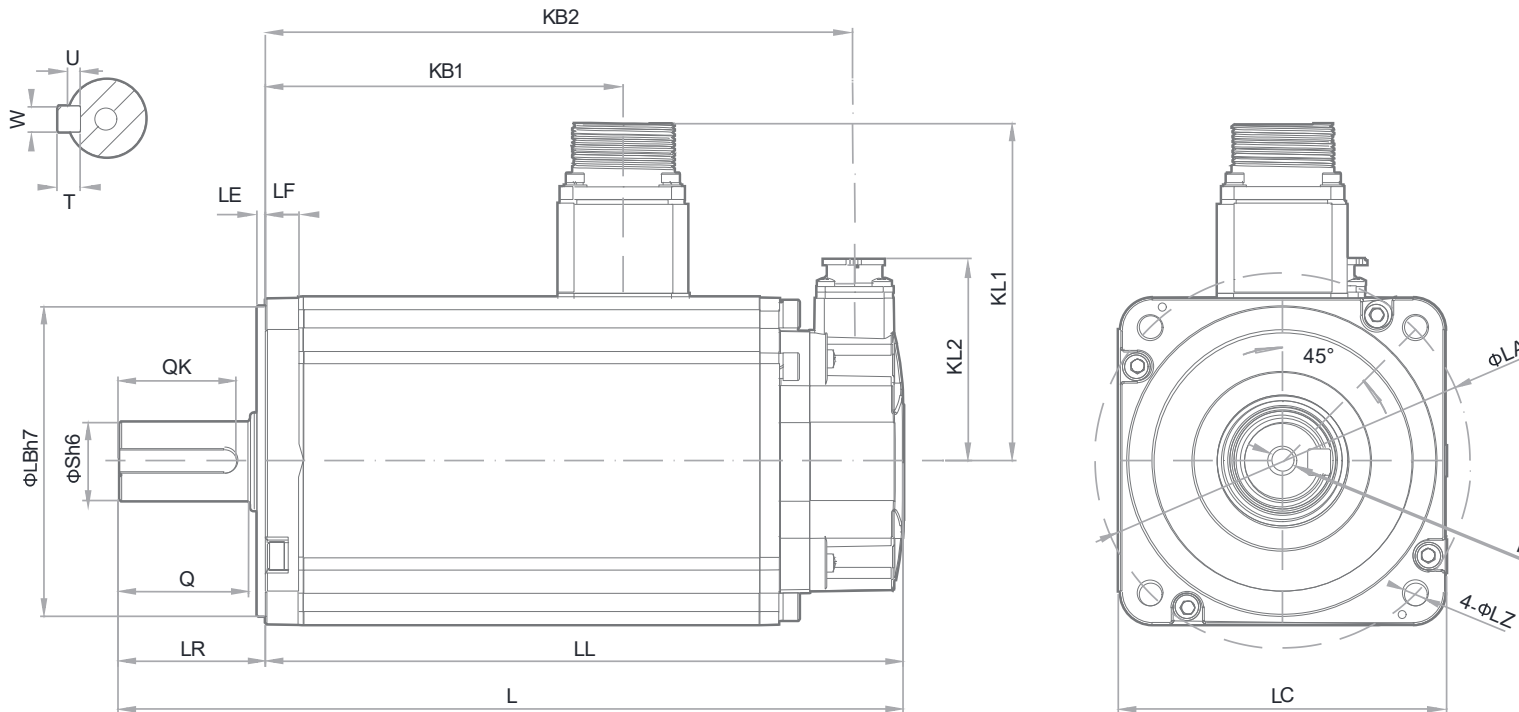
	MXL-	A5A	01A	02A	04A	08A	10A
Rated Output	kW	0.05	0.1	0.2	0.4	0.75	1.0
Rated Torque	Nm	0.159	0.318	0.630	1.270	2.390	3.180
Instantaneous Peak Torque	Nm	0.557	1.110	2.210	4.450	8.370	9.550
Rated Current	Arms	0.9	1.1	1.5	2.9	5.1	6.9
Instantaneous Max. Current	Arms	3.3	4.0	5.8	11.5	19.5	21.0
Rated Speed	rpm	3000	3000	3000	3000	3000	3000
Max. Speed	rpm	6000	6000	6000	6000	6000	6000
Rotor Moment of Inertia	x10 <sup>-4</sup> kg m <sup>2</sup>	0.0230 (0.0268)	0.0428 (0.0465)	0.147 (0.179)	0.244 (0.276)	0.909 (1.07)	1.14 (1.30)
Weight	kg	0.368 (0.588)	0.491 (0.696)	0.9 (1.3)	1.3 (1.7)	2.6 (3.2)	3.1 (3.8)
Brake Rated Voltage		24 Vdc ± 10%					
Brated Rated Torque	Nm	≥0.32		≥1.5		≥3.2	
Flange	mm	40	40	60	60	80	80
Encoder Types		L (23-bit absolute)		L (23-bit absolute), T (17-bit absolute)			
Shaft end load (Radial)	Nm	78	78	245	245	392	392
Shaft end load (Axial)	Nm	54	54	74	74	147	147
Insulation Class		F					
Ambient Temperature		0 ~ +40°C (No freezing)					
Ambient Humidity		20% ~ 80% RH (No condensing)					
Vibration		Dynamic ≤ 49m/s <sup>2</sup> (5G); Static ≤ 24.5m/s <sup>2</sup> ; Shock ≤ 98m/s <sup>2</sup> (10G)					
Enclosure		Totally enclosed, Self cooled, IP65					

Model	Rated Power	Supply Voltage	Flange	Rated Speed	Encoder	Revision	Shaft End	Option	Connector Type						
<b>MXL - 04</b>	<b>04</b>	<b>A</b>	<b>06</b>	<b>30</b>	<b>L</b>	<b>A</b>	<b>2</b>	<b>2</b>	<b>2</b>						
A5	0.05kW	A	200V	04	40mm	30	3000RPM	T	17 Bit abs	2	With Key	2	With oil seal	2	IP65
01	0.1kW	D	400V	06	60mm			L	23 Bit abs			4	Oil + brake		
02	0.2kW			08	80mm										
04	0.4kW														
08	0.75kW														
10	1kW														

# MXL Motors

## 1.5kW - 5kW

### Specification



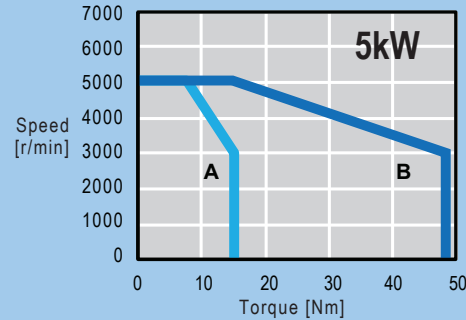
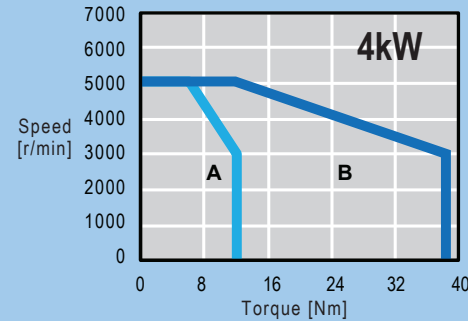
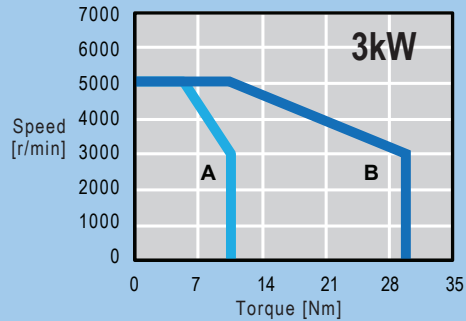
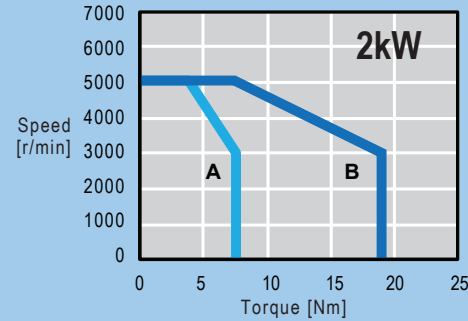
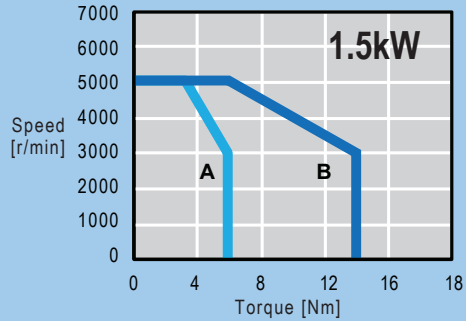
Power kW	MXL-	L	LL	KB1	KB2	KL1	KL2	Flange Side							S	P	Key				
								LR	LE	LF	LC	LA	LB	LZ			QK	W	T	U	Q
1.5	15A/15D	210 (240)	165 (195)	97 (109)	150 (180)	102	60	45	3	10	100	115	95	7	24	M8 x 16	36	8	7	4	40
2.0	20A/20D	230 (260)	185 (215)	117 (129)	170 (200)	102	60	45	3	10	100	115	95	7	24	M8 x 16	36	8	7	4	40
3.0	30D	257 (298.5)	194 (226.5)	160.5	179 (211.6)	110	60	63	6	12	130	145	110	9	28	M8 x 16	54	8	7	4	55
4.0	40D	284 (316.5)	221 (253.5)	187.5	206 (238.5)	110	60	63	6	12	130	145	110	9	28	M8 x 16	54	8	7	4	55
5.0	50D	324 (356.5)	261 (293.5)	227.5	246 (278.5)	110	60	63	6	12	130	145	110	9	28	M8 x 16	54	8	7	4	55

N.B: Numbers in parentheses represent the value with brake.

# MXL Motors

## 1.5kW - 5kW

### Specification



A: Continuous Working Area  
B: Cyclic Working Area

	MXL-	15A	15D	20A	20D	30A	30D	40D	50D	
Voltage	VAC	200	400	200	400	300	400	400	400	
Rated Output	kW	1.5	1.5	2.0	2.0	3.0	3.0	4.0	5.0	
Rated Torque	Nm	4.78	4.78	6.37	6.37	9.80	9.80	12.80	15.90	
Instantaneous Peak Torque	Nm	14.30	14.30	19.10	19.10	29.40	29.40	38.40	47.70	
Rated Current	Arms	9.5	4.9	12.6	6.4	20.5	10.5	13.0	15.9	
Instantaneous Max. Current	Arms	31.6	16.3	42.0	20.5	68.0	33.0	40.0	50.0	
Rated Speed	rpm	3000	3000	3000	3000	3000	3000	3000	3000	
Max. Speed	rpm	5000	5000	5000	5000	5000	5000	5000	5000	
Rotor Moment of Inertia	$\times 10^{-4} \text{kg m}^2$	2.33 (3.10)	2.33 (3.10)	2.95 (3.72)	2.95 (3.72)	7.72 (9.00)	7.72 (9.00)	10.24 (11.6)	14.00 (15.4)	
Weight	kg	5.1 (6.4)	5.1 (6.4)	6.1 (7.5)	6.1 (7.5)	10 (12.0)	10.0 (12.0)	12.0 (14.0)	15.5 (17.5)	
Brake Rated Voltage	24 Vdc $\pm$ 10%									
Brated Rated Torque	Nm	$\geq 8$					$\geq 20$			
Flange	mm	100					130			
Encoder Types	L (23-bit absolute), T (17-bit absolute)						L (23-bit absolute)			
Shaft end load (Radial)	Nm	686					980			
Shaft end load (Axial)	Nm	196					392			
Insulation Class	F									
Ambient Temperature	0 ~ +40°C (No freezing)									
Ambient Humidity	20% ~ 80% RH (No condensing)									
Vibration	Dynamic $\leq 49 \text{m/s}^2$ (5G); Static $\leq 24.5 \text{m/s}^2$ ; Shock $\leq 98 \text{m/s}^2$ (10G)									
Enclosure	Totally Enclosed, Self cooled, IP65									

Model	Rated Power	Supply Voltage	Flange	Rated Speed	Encoder	Revision	Shaft End	Option	Connector Type
<b>MXL - 15</b>	<b>15</b>	<b>A</b>	<b>10</b>	<b>30</b>	<b>L</b>	<b>A</b>	<b>2</b>	<b>2</b>	<b>4</b>
	15   1.5kW	A   200V	10   100mm	30   3000RPM	T   17 Bit abs		2   With Key	2   With oil seal	4   On motor
	20   2kW	D   400V	13   130mm		L   23 Bit abs			4   Oil + brake	
	30   3kW								
	40   4kW								
	50   5kW								



# MXL Motors

## 50W - 1kW

### Component Selection

Description	Trio Motor Part #	Motor Model	Trio Encoder Cable Part #	Encoder Cable (with battery)	Trio Encoder Cable Part # (no battery)	Encoder Cable (no battery)	Trio Power Cable Part #	Power Cable
200V, 50W, 23-bit encoder, no brake	M0758	MXL-A5A0430LA222	X0405-X0409	EC3S-A1724-RX-nn	X0400-X0404	EC3S-I1724-RX-nn	X0500-X0504	EC3P-N8718-nn
200V, 50W, 23-bit encoder, with brake	M0759	MXL-A5A0430LA242	X0405-X0409	EC3S-A1724-RX-nn	X0400-X0404	EC3S-I1724-RX-nn	X0505-X0509	EC3P-B8718-nn
200V, 100W, 23-bit encoder, no brake	M0756	MXL-01A0430LA222	X0405-X0409	EC3S-A1724-RX-nn	X0400-X0404	EC3S-I1724-RX-nn	X0500-X0504	EC3P-N8718-nn
200V, 100W, 23-bit encoder, with brake	M0757	MXL-01A0430LA242	X0405-X0409	EC3S-A1724-RX-nn	X0400-X0404	EC3S-I1724-RX-nn	X0505-X0509	EC3P-B8718-nn
200V, 100W, 17-bit encoder, no brake	M0835	MXL-01A0430TA222	X0405-X0409	EC3S-A1724-RX-nn	X0400-X0404	EC3S-I1724-RX-nn	X0500-X0504	EC3P-N8718-nn
200V, 100W, 17-bit encoder, with brake	M0836	MXL-01A0430TA242	X0405-X0409	EC3S-A1724-RX-nn	X0400-X0404	EC3S-I1724-RX-nn	X0505-X0509	EC3P-B8718-nn
200V, 200W, 23-bit encoder, no brake	M0654	MXL-02A0630LA222	X0405-X0409	EC3S-A1724-RX-nn	X0400-X0404	EC3S-I1724-RX-nn	X0500-X0504	EC3P-N8718-nn
200V, 200W, 23-bit encoder, with brake	M0655	MXL-02A0630LA242	X0405-X0409	EC3S-A1724-RX-nn	X0400-X0404	EC3S-I1724-RX-nn	X0505-X0509	EC3P-B8718-nn
200V, 200W, 17-bit encoder, no brake	M0837	MXL-02A0630TA222	X0405-X0409	EC3S-A1724-RX-nn	X0400-X0404	EC3S-I1724-RX-nn	X0500-X0504	EC3P-N8718-nn
200V, 200W, 17-bit encoder, with brake	M0838	MXL-02A0630TA242	X0405-X0409	EC3S-A1724-RX-nn	X0400-X0404	EC3S-I1724-RX-nn	X0505-X0509	EC3P-B8718-nn
200V, 400W, 23-bit encoder, no brake	M0646	MXL-04A0630LA222	X0405-X0409	EC3S-A1724-RX-nn	X0400-X0404	EC3S-I1724-RX-nn	X0500-X0504	EC3P-N8718-nn
200V, 400W, 23-bit encoder, with brake	M0647	MXL-04A0630LA242	X0405-X0409	EC3S-A1724-RX-nn	X0400-X0404	EC3S-I1724-RX-nn	X0505-X0509	EC3P-B8718-nn
200V, 400W, 17-bit encoder, no brake	M0839	MXL-04A0630TA222	X0405-X0409	EC3S-A1724-RX-nn	X0400-X0404	EC3S-I1724-RX-nn	X0500-X0504	EC3P-N8718-nn
200V, 400W, 17-bit encoder, with brake	M0840	MXL-04A0630TA242	X0405-X0409	EC3S-A1724-RX-nn	X0400-X0404	EC3S-I1724-RX-nn	X0505-X0509	EC3P-B8718-nn
200V, 750W, 23-bit encoder, no brake	M0638	MXL-08A0830LA222	X0405-X0409	EC3S-A1724-RX-nn	X0400-X0404	EC3S-I1724-RX-nn	X0500-X0504	EC3P-N8718-nn
200V, 750W, 23-bit encoder, with brake	M0639	MXL-08A0830LA242	X0405-X0409	EC3S-A1724-RX-nn	X0400-X0404	EC3S-I1724-RX-nn	X0505-X0509	EC3P-B8718-nn
200V, 750W, 17-bit encoder, no brake	M0841	MXL-08A0830TA222	X0405-X0409	EC3S-A1724-RX-nn	X0400-X0404	EC3S-I1724-RX-nn	X0500-X0504	EC3P-N8718-nn
200V, 750W, 17-bit encoder, with brake	M0842	MXL-08A0830TA242	X0405-X0409	EC3S-A1724-RX-nn	X0400-X0404	EC3S-I1724-RX-nn	X0505-X0509	EC3P-B8718-nn
200V, 1kW, 23-bit encoder, no brake	M0630	MXL-10A0830LA222	X0405-X0409	EC3S-A1724-RX-nn	X0400-X0404	EC3S-I1724-RX-nn	X0500-X0504	EC3P-N8718-nn
200V, 1kW, 23-bit encoder, with brake	M0631	MXL-10A0830LA242	X0405-X0409	EC3S-A1724-RX-nn	X0400-X0404	EC3S-I1724-RX-nn	X0505-X0509	EC3P-B8718-nn
200V, 1kW, 17-bit encoder, no brake	M0843	MXL-10A0830TA222	X0405-X0409	EC3S-A1724-RX-nn	X0400-X0404	EC3S-I1724-RX-nn	X0500-X0504	EC3P-N8718-nn
200V, 1kW, 17-bit encoder, with brake	M0844	MXL-10A0830TA242	X0405-X0409	EC3S-A1724-RX-nn	X0400-X0404	EC3S-I1724-RX-nn	X0505-X0509	EC3P-B8718-nn

The "nn" at the end of the ENCODER CABLE code represents the cable length: E.g: EC3S-I1724-RX-10 = 10 metre cable  
valid lengths are: 1M5, 05, 10, 15, 20. All lengths are in Metres

All "RX" cable are flexible and suitable for drag chain applications

# MXL Motors

## 1.5kW - 5kW

### Component Selection

Description	Trio Motor Part #	Motor Model	Trio Encoder Cable Part #	Encoder Cable (with battery)	Trio Encoder Cable Part # (no battery)	Encoder Cable (no battery)	Trio Power Cable Part #	Power Cable
200V, 1.5kW, 23-bit encoder, no brake	M0761	MXL-15A1030LB224	X0440-X0444	EC3S-A1924-RX-nn	X0435-X0439	EC3S-I1924-RX-nn	X0510-X0514	EC3P-N9314-nn
200V, 1.5kW, 23-bit encoder, with brake	M0762	MXL-15A1030LB244	X0440-X0444	EC3S-A1924-RX-nn	X0435-X0439	EC3S-I1924-RX-nn	X0515-X0519	EC3P-B9314-nn
200V, 1.5kW, 17-bit encoder, no brake	M0773	MXL-15A1030TB224	X0440-X0444	EC3S-A1924-RX-nn	X0435-X0439	EC3S-I1924-RX-nn	X0510-X0514	EC3P-N9314-nn
200V, 1.5kW, 17-bit encoder, with brake	M0774	MXL-15A1030TB244	X0440-X0444	EC3S-A1924-RX-nn	X0435-X0439	EC3S-I1924-RX-nn	X0515-X0519	EC3P-B9314-nn
400V, 1.5kW, 23-bit encoder, no brake	M0775	MXL-15D1030LB224	X0440-X0444	EC3S-A1924-RX-nn	X0435-X0439	EC3S-I1924-RX-nn	X0510-X0514	EC3P-N9314-nn
400V, 1.5kW, 23-bit encoder, with brake	M0776	MXL-15D1030LB244	X0440-X0444	EC3S-A1924-RX-nn	X0435-X0439	EC3S-I1924-RX-nn	X0515-X0519	EC3P-B9314-nn
400V, 1.5kW, 17-bit encoder, no brake	M0777	MXL-15D1030TB224	X0440-X0444	EC3S-A1924-RX-nn	X0435-X0439	EC3S-I1924-RX-nn	X0510-X0514	EC3P-N9314-nn
400V, 1.5kW, 17-bit encoder, with brake	M0778	MXL-15D1030TB244	X0440-X0444	EC3S-A1924-RX-nn	X0435-X0439	EC3S-I1924-RX-nn	X0515-X0519	EC3P-B9314-nn
200V, 2kW, 23-bit encoder, no brake	M0763	MXL-20A1030LB224	X0440-X0444	EC3S-A1924-RX-nn	X0435-X0439	EC3S-I1924-RX-nn	X0510-X0514	EC3P-N9314-nn
200V, 2kW, 23-bit encoder, with brake	M0764	MXL-20A1030LB244	X0440-X0444	EC3S-A1924-RX-nn	X0435-X0439	EC3S-I1924-RX-nn	X0515-X0519	EC3P-B9314-nn
200V, 2kW, 17-bit encoder, no brake	M0779	MXL-20A1030TB224	X0440-X0444	EC3S-A1924-RX-nn	X0435-X0439	EC3S-I1924-RX-nn	X0510-X0514	EC3P-N9314-nn
200V, 2kW, 17-bit encoder, with brake	M0780	MXL-20A1030TB244	X0440-X0444	EC3S-A1924-RX-nn	X0435-X0439	EC3S-I1924-RX-nn	X0515-X0519	EC3P-B9314-nn
400V, 2kW, 23-bit encoder, no brake	M0781	MXL-20D1030LB224	X0440-X0444	EC3S-A1924-RX-nn	X0435-X0439	EC3S-I1924-RX-nn	X0510-X0514	EC3P-N9314-nn
400V, 2kW, 23-bit encoder, with brake	M0772	MXL-20D1030LB244	X0440-X0444	EC3S-A1924-RX-nn	X0435-X0439	EC3S-I1924-RX-nn	X0515-X0519	EC3P-B9314-nn
400V, 2kW, 17-bit encoder, no brake	M0782	MXL-20D1030TB224	X0440-X0444	EC3S-A1924-RX-nn	X0435-X0439	EC3S-I1924-RX-nn	X0510-X0514	EC3P-N9314-nn
400V, 2kW, 17-bit encoder, with brake	M0783	MXL-20D1030TB244	X0440-X0444	EC3S-A1924-RX-nn	X0435-X0439	EC3S-I1924-RX-nn	X0515-X0519	EC3P-B9314-nn
200V, 3kW, 23-bit encoder, no brake	M0765	MXL-30A1330LA224	X0440-X0444	EC3S-A1924-RX-nn	X0435-X0439	EC3S-I1924-RX-nn	X0510-X0514	EC3P-N9314-nn
200V, 3kW, 23-bit encoder, with brake	M0766	MXL-30A1330LA244	X0440-X0444	EC3S-A1924-RX-nn	X0435-X0439	EC3S-I1924-RX-nn	X0515-X0519	EC3P-B9314-nn
400V, 3kW, 23-bit encoder, no brake	M0784	MXL-30D1330LA224	X0440-X0444	EC3S-A1924-RX-nn	X0435-X0439	EC3S-I1924-RX-nn	X0510-X0514	EC3P-N9314-nn
400V, 4kW, 23-bit encoder, no brake	M0786	MXL-40D1330LA224	X0440-X0444	EC3S-A1924-RX-nn	X0435-X0439	EC3S-I1924-RX-nn	X0580-X0584	EC3P-N9319-nn
400V, 4kW, 23-bit encoder, with brake	M0787	MXL-40D1330LA244	X0440-X0444	EC3S-A1924-RX-nn	X0435-X0439	EC3S-I1924-RX-nn	X0585-X0589	EC3P-B9319-nn
400V, 5kW, 23-bit encoder, no brake	M0788	MXL-50D1330LA224	X0440-X0444	EC3S-A1924-RX-nn	X0435-X0439	EC3S-I1924-RX-nn	X0580-X0584	EC3P-N9319-nn
400V, 5kW, 23-bit encoder, with brake	M0789	MXL-50D1330LA244	X0440-X0444	EC3S-A1924-RX-nn	X0435-X0439	EC3S-I1924-RX-nn	X0585-X0589	EC3P-B9319-nn

The "nn" at the end of the ENCODER CABLE code represents the cable length: E.g: EC3S-I1724-RX-10 = 10 metre cable  
valid lengths are: 1M5, 05, 10, 15, 20. All lengths are in Metres

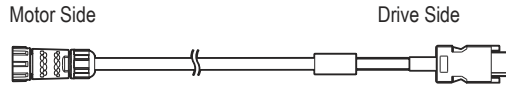
All "RX" cable are flexible and suitable for drag chain applications

# CABLES

## Encoder Cables

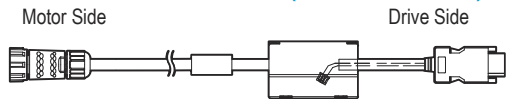
### MXL Motors (50W - 1kW)

#### EC3S-I1724-RX-nn (Inc Encoder)



Pin	Signal	Pin	Signal
1	S+	7	S+
2	S-	8	S-
3	BAT+	9	BAT+
4	MA+	5	MA+
5	MA-	6	MA-
6	PG5V	1	PG5V
7	PG0V	2	PG0V
8	BAT-	10	BAT-
9	FG	Shell	FG

#### EC3S-A1724-RX-nn (Abs Encoder)

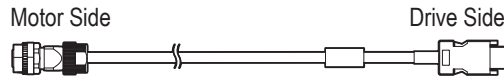


Pin	Signal	Pin	Signal
1	S+	7	S+
2	S-	8	S-
3	BAT+	9	BAT+
4	MA+	5	MA+
5	MA-	6	MA-
6	PG5V	1	PG5V
7	PG0V	2	PG0V
8	BAT-	10	BAT-
9	FG	Shell	FG



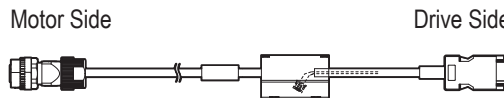
### MXL Motors (1.5kW - 5kW)

#### EC3S-I1924-RX-nn (Inc Encoder)

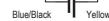


Pin	Signal	Colour	Pin	Signal	Colour
1	S+	Blue	7	S+	Blue
2	S-	Blue/Black	8	S-	Blue/Black
3	BAT+	Yellow	9	BAT+	Yellow
4	BAT-	Yellow/Black	10	BAT-	Yellow/Black
8	PG5V	Red	1	PG5V	Red
7	PG0V	Black	2	PG0V	Red
10	FG	-	shell	FG	-

#### EC3S-A1924-RX-nn (Abs Encoder)



Pin	Signal	Colour	Pin	Signal	Colour
1	S+	Blue	7	S+	Blue
2	S-	Blue/Black	8	S-	Blue/Black
3	BAT+	Yellow	9	BAT+	Yellow
4	BAT-	Yellow/Black	10	BAT-	Yellow/Black
8	PG5V	Red	1	PG5V	Red
7	PG0V	Black	2	PG0V	Red
10	FG	-	shell	FG	-



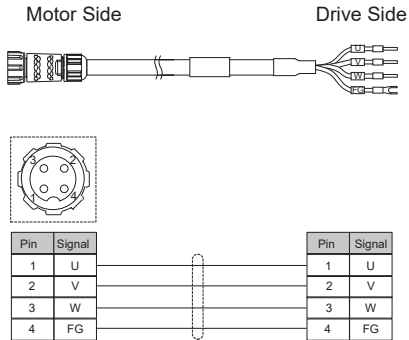


# CABLES

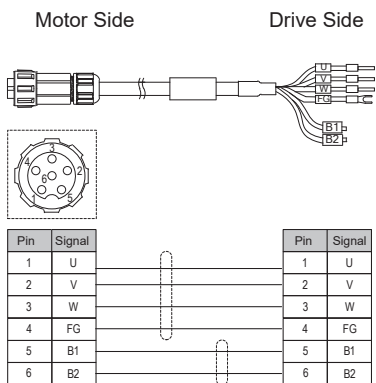
## Power Cables

### MXL Motors (50W - 1kW)

#### EC3P-N8718-RX-nn (No Brake)

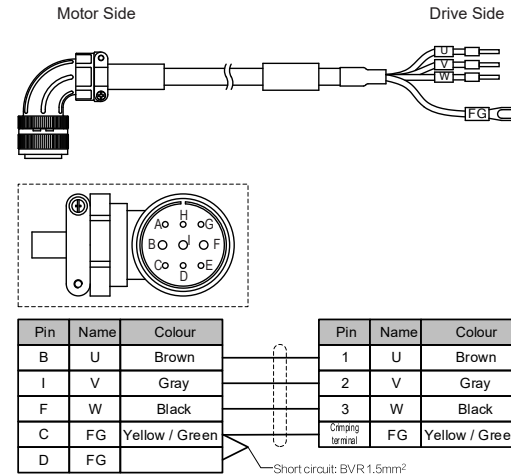


#### EC3P-B8718-RX-nn (Brake)

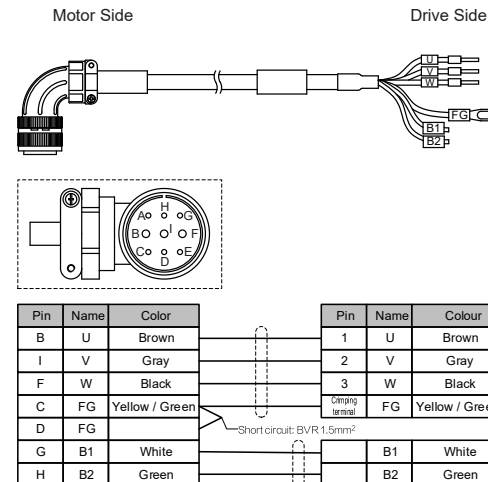


### MXL Motors (1.5kW - 3kW)

#### EC3P-N9314-RX-nn (No Brake)

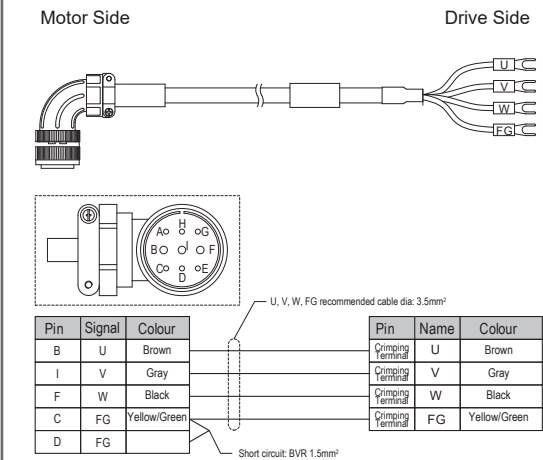


#### EC3P-B9314-RX-nn (Brake)

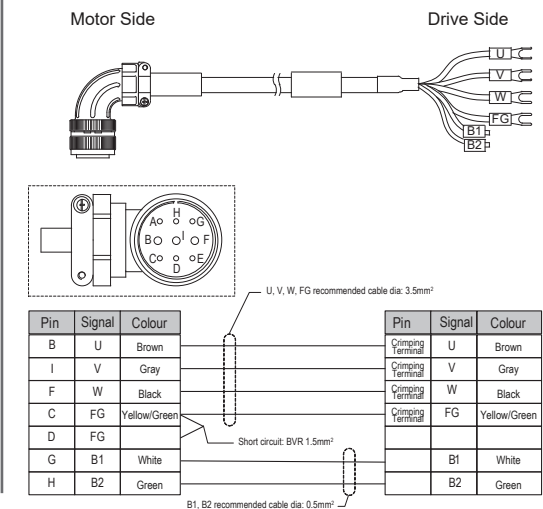


### MXL Motors (4kW - 5kW)

#### EC3P-N9319-RX-nn (No Brake)



#### EC3P-B9319-RX-nn (Brake)



# CABLES

## Encoder Cables

### Component Selection

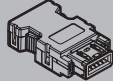
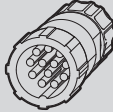
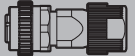
# Encoder Cables Connectors

### Component Selection

Trio part #	Cable	Description
X0400	EC3S-I1724-RX-1M5	1.5m Encoder cable, no battery (50W - 1kW)
X0401	EC3S-I1724-RX-05	5m Encoder cable, no battery (50W - 1kW)
X0402	EC3S-I1724-RX-10	10m Encoder cable, no battery (50W - 1kW)
X0403	EC3S-I1724-RX-15	15m Encoder cable, no battery (50W - 1kW)
X0404	EC3S-I1724-RX-20	20m Encoder cable, no battery (50W - 1kW)
X0405	EC3S-A1724-RX-1M5	1.5m Encoder cable, with battery (50W - 1kW)
X0406	EC3S-A1724-RX-05	5m Encoder cable, with battery (50W - 1kW)
X0407	EC3S-A1724-RX-10	10m Encoder cable, with battery (50W - 1kW)
X0408	EC3S-A1724-RX-15	15m Encoder cable, with battery (50W - 1kW)
X0409	EC3S-A1724-RX-20	20m Encoder cable, with battery (50W - 1kW)
X0435	EC3S-I1924-RX-1M5	1.5m Encoder cable, no battery (1.5kW - 5kW)
X0436	EC3S-I1924-RX-05	5m Encoder cable, no battery (1.5kW - 5kW)
X0437	EC3S-I1924-RX-10	10m Encoder cable, no battery (1.5kW - 5kW)
X0438	EC3S-I1924-RX-15	15m Encoder cable, no battery (1.5kW - 5kW)
X0439	EC3S-I1924-RX-20	20m Encoder cable, no battery (1.5kW - 5kW)
X0440	EC3S-A1924-RX-1M5	1.5m Encoder cable, with battery (1.5kW - 5kW)
X0441	EC3S-A1924-RX-05	5m Encoder cable, with battery (1.5kW - 5kW)
X0442	EC3S-A1924-RX-10	10m Encoder cable, with battery (1.5kW - 5kW)
X0443	EC3S-A1924-RX-15	15m Encoder cable, with battery (1.5kW - 5kW)
X0444	EC3S-A1924-RX-20	20m Encoder cable, with battery (1.5kW - 5kW)
X0600	EC3S-I1724-XX	Encoder cable connectors only, no battery (50W - 1kW)
X0601	EC3S-A1724-XX	Encoder cable connectors only, with battery (50W - 1kW)
X0606	EC3S-I1924-XX	Encoder cable connectors only, no battery (1.5kW - 5kW)
X0607	EC3S-A1924-XX	Encoder cable connectors only, with battery (1.5kW - 5kW)

The "nn" at the end of the ENCODER CABLE code represents the cable length:  
E.g: EC3S-I1724-RX-10 = 10 metre cable  
valid lengths are: 1M5, 05, 10, 15, 20. All lengths are in Metres

All "RX" cable are flexible and suitable for drag chain applications

Description	Function	
Encoder plug (Drive)	DX Drive X0600, X0601, X0607, X0608	
Encoder plug (Motor) (waterproof lead)	MXL motor (0.05kW ~ 1kW) X0600 - EC3S-I1724-XX X0601 - EC3S-A1724-XX	
Encoder plug (Motor) (straight, 10pin, 3A)	MXL motor (1.5kW ~ 5kW) X0606 - EC3S-I1924-XX X0607 - EC3S-A1924-XX	

N.B: Encoder cable connector pack includes motor side and drive drive side connector

# CABLES

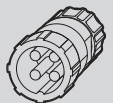
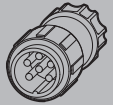

## Power Cables

### Component Selection

# Motor Cables Connectors

### Component Selection

Trio part #	Cable	Description
X0500	EC3P-N8718-RX-1M5	1.5m Power cable, no brake (50W - 1kW)
X0501	EC3P-N8718-RX-05	5m Power cable, no brake (50W - 1kW)
X0502	EC3P-N8718-RX-10	10m Power cable, no brake (50W - 1kW)
X0503	EC3P-N8718-RX-15	15m Power cable, no brake (50W - 1kW)
X0504	EC3P-N8718-RX-20	20m Power cable, no brake (50W - 1kW)
X0505	EC3P-B8718-RX-1M5	1.5m Power cable, with brake (50W - 1kW)
X0506	EC3P-B8718-RX-05	5m Power cable, with brake (50W - 1kW)
X0507	EC3P-B8718-RX-10	10m Power cable, with brake (50W - 1kW)
X0508	EC3P-B8718-RX-15	15m Power cable, with brake (50W - 1kW)
X0509	EC3P-B8718-RX-20	20m Power cable, with brake (50W - 1kW)
X0510	EC3P-N9314-RX-1M5	1.5m Power cable, no brake (1.5kW - 3kW)
X0511	EC3P-N9314-RX-05	5m Power cable, no brake (1.5kW - 3kW)
X0512	EC3P-N9314-RX-10	10m Power cable, no brake (1.5kW - 3kW)
X0513	EC3P-N9314-RX-15	15m Power cable, no brake (1.5kW - 3kW)
X0514	EC3P-N9314-RX-20	20m Power cable, no brake (1.5kW - 3kW)
X0515	EC3P-N9314-RX-1M5	1.5m Power cable, with brake (1.5kW - 3kW)
X0516	EC3P-N9314-RX-05	5m Power cable, with brake (1.5kW - 3kW)
X0517	EC3P-N9314-RX-10	10m Power cable, with brake (1.5kW - 3kW)
X0518	EC3P-N9314-RX-15	15m Power cable, with brake (1.5kW - 3kW)
X0519	EC3P-N9314-RX-20	20m Power cable, with brake (1.5kW - 3kW)
X0580	EC3P-N9319-RX-1M5	1.5m Power cable, no brake (4kW - 5kW)
X0581	EC3P-N9319-RX-05	5m Power cable, no brake (4kW - 5kW)
X0582	EC3P-N9319-RX-10	10m Power cable, no brake (4kW - 5kW)
X0583	EC3P-N9319-RX-15	15m Power cable, no brake (4kW - 5kW)
X0584	EC3P-N9319-RX-20	20m Power cable, no brake (4kW - 5kW)
X0585	EC3P-B9319-RX-1M5	1.5m Power cable, with brake (4kW - 5kW)
X0586	EC3P-B9319-RX-05	5m Power cable, with brake (4kW - 5kW)
X0587	EC3P-B9319-RX-10	10m Power cable, with brake (4kW - 5kW)
X0588	EC3P-B9319-RX-15	15m Power cable, with brake (4kW - 5kW)
X0589	EC3P-B9319-RX-20	20m Power cable, with brake (4kW - 5kW)
X0708	EC3P-N8718-XX	Power cable connector only, no brake (50W - 1kW)
X0709	EC3P-B8718-XX	Power cable connector only, with brake (50W - 1kW)
X0710	EC3P-N9314-XX	Power cable connector only, no brake (1.5kW - 3kW)
X0711	EC3P-B9314-XX	Power cable connector only, with brake (1.5kW - 3kW)
X0718	EC3P-N9319-XX	Power cable connector only, no brake (4kW - 5kW)
X0719	EC3P-B9319-XX	Power cable connector only, with brake (4kW - 5kW)

Description	Function	
Motor power plug (without brake, waterproof lead)	MXL motor (0.05kW ~ 1kW) X0708 - EC3P-N8718-XX X0709 - EC3P-B8718-XX	
Motor power plug (with brake, waterproof lead)	MXL motor (0.05kW ~ 1kW) X0708 - EC3P-N8718-XX X0709 - EC3P-B8718-XX	
Motor power plug (right angle, 9pin, 13A, 23A)	MXL motor (1.5kW~5.0kW) X0710 - EC3P-N9314-XX X0711 - EC3P-B9313-XX X0718 - EC3P-N9319-XX X0719 - EC3P-B9139-XX	

N.B: Power cable connector pack includes only motor side connector as drive side connector is included with the drive



# MXM Motors

## Medium Inertia Medium Speed Servo Motors

Motors Matched to DX Drives

The MXM family of servo motors include solutions with absolute or incremental encoders, are suitable for application speeds up to 3000 rpm, include variants with an integrated brake.

Medium inertia allows fast response times and these motors develop a high torque despite their small size. In combination with our servo drives, they are ideal for applications with high dynamic responses and fast and precise positioning.

### AT A GLANCE

- \* Power range:  
850W to 1.8kW (200V)  
850W to 7.5kW (400V)
- \* Mid inertia
- \* Rated speed 1500 RPM (Max speed 3000 RPM)
- \* 23-bit absolute encoder or 17-bit absolute encoder
- \* IP65 rated
- \* Oil seal as standard
- \* Optional brake
- \* Compatible with Trio DX drives



**130mm**  
850W – 1.8kW

**180mm**  
2.9kW – 7.5kW

# MXM Motors

## Medium Inertia Medium Speed Servo Motors

Motors Matched to DX Drives

Model	Rated Power	Supply Voltage	Flange	Rated Speed	Encoder	Revision	Shaft End	Option	Connector Type
<b>MXM -</b>	<b>29</b>	<b>D</b>	<b>18</b>	<b>15</b>	<b>L</b>	<b>A</b>	<b>2</b>	<b>2</b>	<b>4</b>

09	850W
13	1.3kW
18	1.8kW
<b>29</b>	<b>2.9kW</b>
44	4.4kW
55	5.5kW
75	7.5kW

<b>A</b>	<b>200V</b>
<b>D</b>	<b>400V</b>

<b>13</b>	<b>130mm</b>
<b>18</b>	<b>180mm</b>

<b>15</b>	<b>1500RPM</b>
-----------	----------------

<b>T</b>	<b>17 Bit abs</b>
<b>L</b>	<b>23 Bit abs</b>

<b>2</b>	<b>With Key</b>
----------	-----------------

<b>2</b>	<b>With oil seal</b>
<b>4</b>	<b>Oil + brake</b>

<b>4</b>	<b>On motor</b>
----------	-----------------

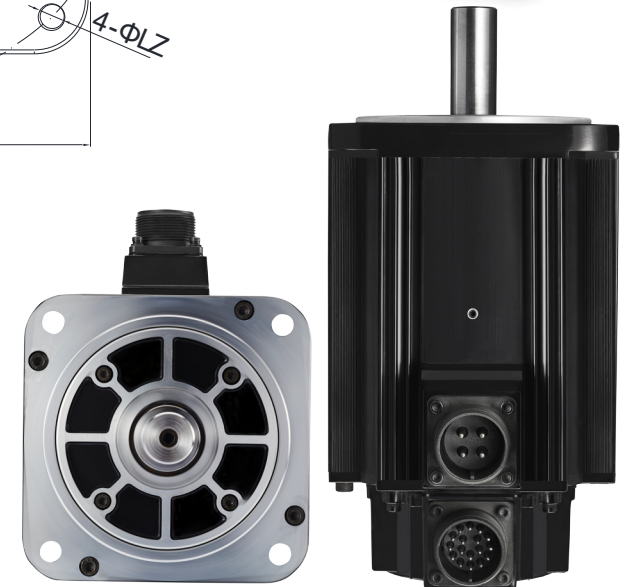
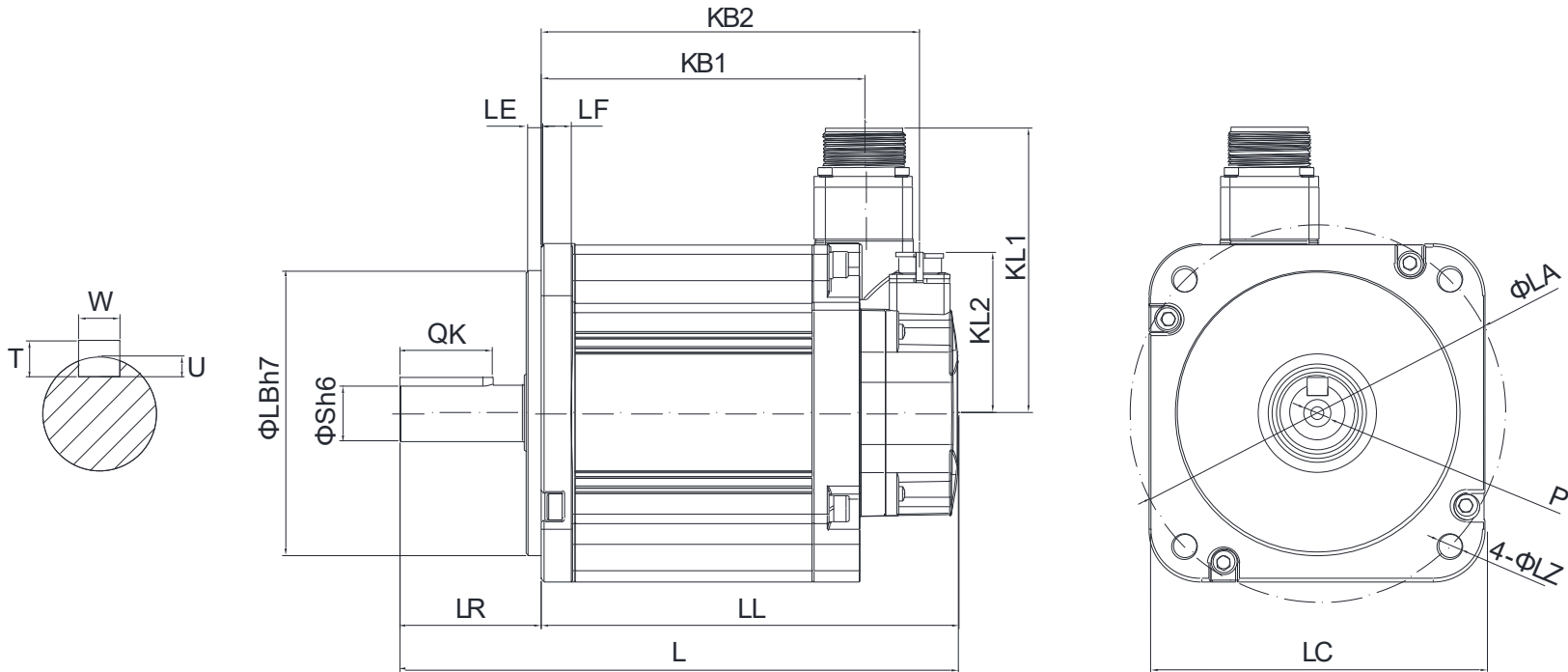


	MXM	DX3	DX4	DX5
200V	850W	✓	✓	
	1.3kW	✓	✓	
	1.8kW	✓	✓	
400V	850W	✓		
	1.3kW	✓		
	1.8kW	✓		
	2.9kW	✓		
	4.4kW	✓		
	5.5kW	✓		
	7.5kW	✓		

# MXM

## Motors (850W - 1.8kW)

### Specification

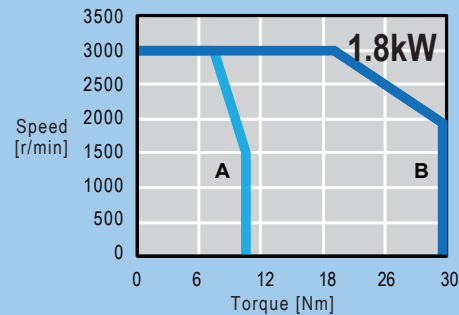
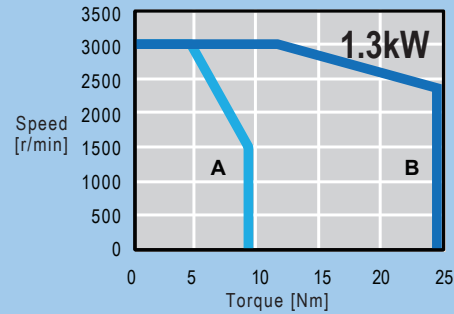
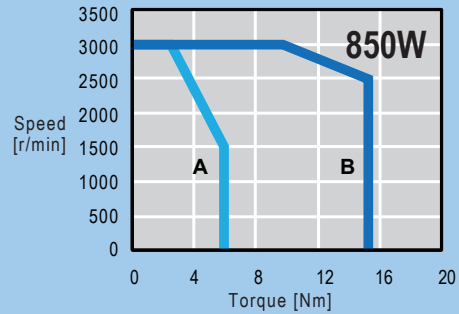


Power	Model (MXM-)	L	LL	KB1	KB2	KL1	KL2	Flange Side							S	P	Key			
								LR	LE	LF	LC	LA	LB	LZ			QK	W	T	U
850W	09A/09D	185 (215)	131 (161)	94.5	116 (146)	112	58.5	55	6	12	130	145	110	9	22	M6x 20	32	8	7	4
1.3kW	13A/13D	200 (230)	146 (176)	109.5	131 (161)	112	58.5	55	6	12	130	145	110	9	22	M6x 20	32	8	7	4
1.8kW	18A/18D	215 (245)	161 (191)	124.5	146 (176)	112	58.5	55	6	12	130	145	110	9	22	M6x 20	32	8	7	4

# MXM

## Motors (850W - 1.8kW)

### Specification



A: Continuous Working Area  
B: Cyclic Working Area

	MXM-	09A	09D	13A	13D	18A	18D
Voltage	VAC	200	400	200	400	200	400
Rated Output	kW	0.85	0.85	1.3	1.3	1.8	1.8
Rated Torque	Nm	5.41	5.41	8.28	8.28	11.50	11.50
Instantaneous Peak Torque	Nm	16.20	16.20	24.80	24.80	31.00	31.00
Rated Current	Arms	6.8	3.4	9.7	5.0	14.5	7.1
Instantaneous Max Current	Arms	22.6	10.9	29.7	15.6	42.0	21.2
Rated Speed	r/min	1500	1500	1500	1500	1500	1500
Max. Speed	r/min	3000	3000	3000	3000	3000	3000
Rotor Moment of Inertia	x10 <sup>-4</sup> kg m <sup>2</sup>	11.90	11.90	17.30	17.30	22.30	22.30
		(12.5)	(12.5)	(17.9)	(17.9)	(22.9)	(22.9)
Weight	kg	5.6	5.6	7.0	7.0	8.3	8.3
		(7.3)	(7.3)	(8.7)	(8.7)	(10.0)	(10.0)
Brake Rated Voltage		24 Vdc ± 10%					
Brated Rated Torque	Nm	≥20					
Flange	mm	130	100	130	130	100	130
Encoder Types		T (17-bit absolute), L (23-bit absolute)					
Shaft end load (Radial)	N	400	400	686	686	980	980
Shaft end load (Axial)	N	98	98	343	343	392	392
Insulation Class		F					
Ambient Temperature		0 ~ +40°C (No freezing)					
Ambient Humidity		20% ~ 80% RH (No condensing)					
Vibration		Dynamic ≤ 49m/s <sup>2</sup> (5G); Static ≤ 24.5m/s <sup>2</sup> ; Shock ≤ 98m/s <sup>2</sup> (10G)					
Enclosure		Totally Enclosed, Self cooled, IP65					

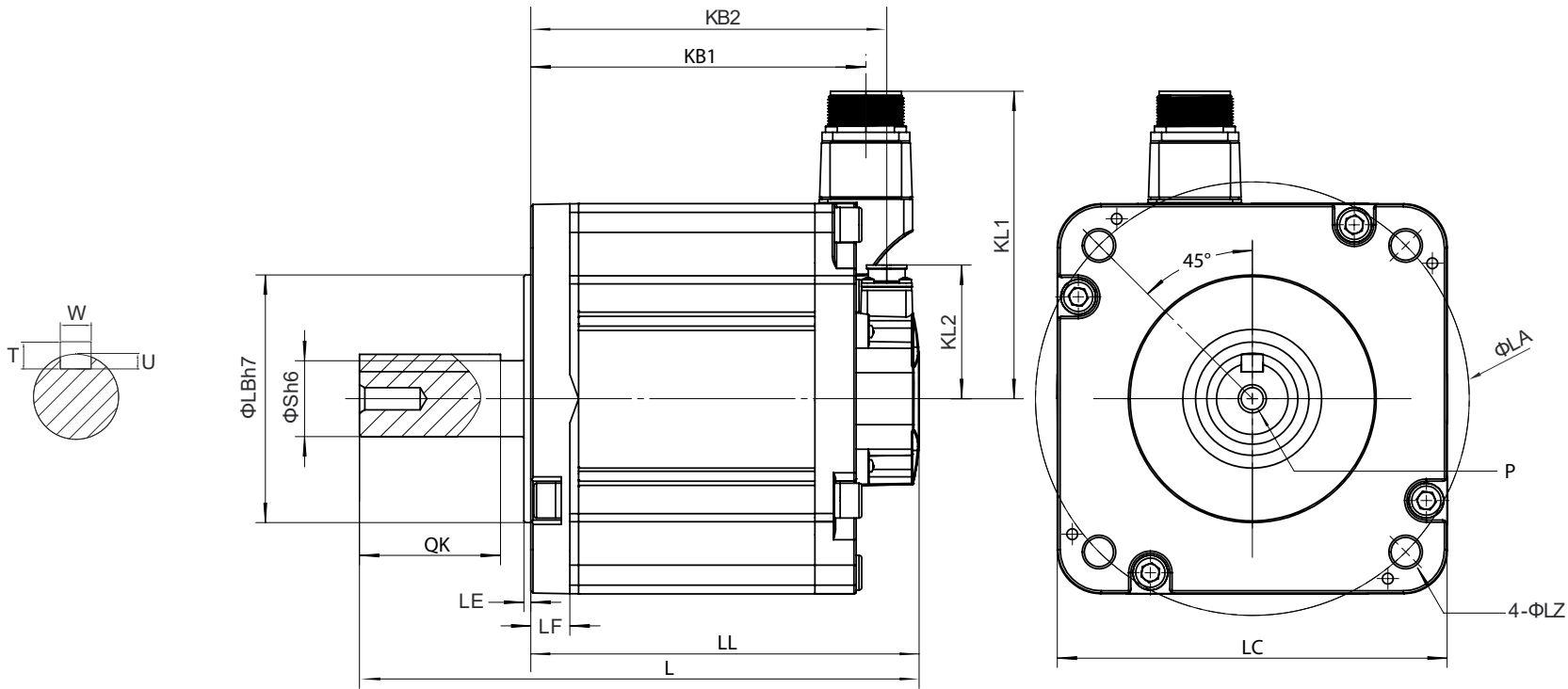
Model	Rated Power	Supply Voltage	Flange	Rated Speed	Encoder	Revision	Shaft End	Option	Connector Type						
<b>MXM - 13</b>	<b>13</b>	<b>A</b>	<b>13</b>	<b>15</b>	<b>L</b>	<b>A</b>	<b>2</b>	<b>2</b>	<b>4</b>						
09	850W	A	200V	13	130mm	15	1500RPM	T	17 Bit abs	2	With Key	2	With oil seal	4	On motor
13	1.3kW	D	400V	18	180mm			L	23 Bit abs			4	Oil + brake		
18	1.8kW														
29	2.9kW														
44	4.4kW														
55	5.5kW														
75	7.5kW														



# MXM

## Motors (2.9kW - 7.5kW)

### Specification



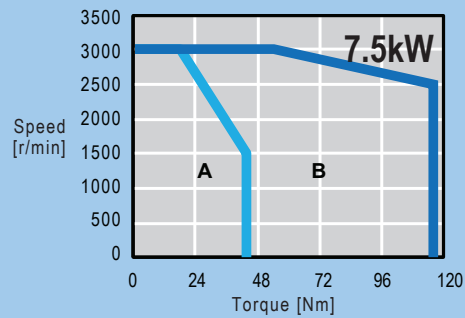
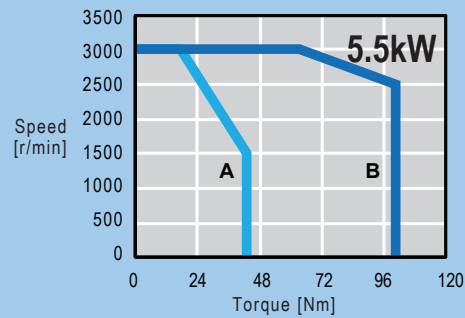
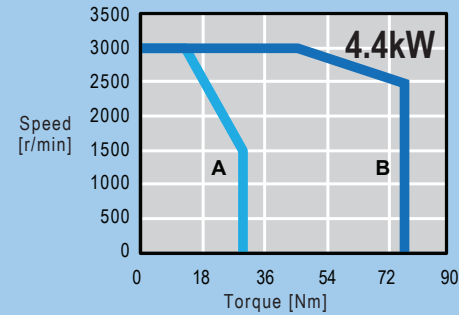
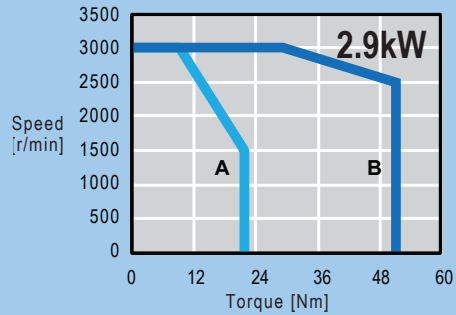
Power	Model (MXM-)	L	LL	KB1	KB2	KL1	KL2	Flange Side						S	P	Key				
								LR	LE	LF	LC	LA	LB			LZ	QK	W	T	U
2.9kW	29D	239 (284)	160 (205)	135.5 (139.8)	145.5 (190.2)	142	62	79	3.2	18	180	200	114.3	13.5	35	M8 x 16	65	10	8	3
4.4kW	44D	258 (303)	179 (224)	154.5 (158.8)	164.5 (209.2)	142	62	79	3.2	18	180	200	114.3	13.5	35	M8 x 16	65	10	8	3
5.5kW	55D	324 (377)	221 (264)	186.5 (198.8)	196.5 (249.2)	142	62	113	3.2	18	180	200	114.3	13.5	42	M8 x 16	96	12	10	3
7.5kW	75D	360 (413)	247 (300)	222.5 (234.8)	235.5 (285.2)	142	62	113	3.2	18	180	200	114.3	13.5	42	M8 x 16	96	12	10	3



# MXM

## Motors (2.9kW - 7.5kW)

### Specification



A: Continuous Working Area  
B: Cyclic Working Area

	MXM-	29D	44D	55D	75D
Voltage	VAC	400	400	400	400
Rated Output	kW	2.9	4.4	5.5	7.5
Rated Torque	Nm	18.6	28.4	35.0	48.0
Instantaneous Peak Torque	Nm	55.8	80.0	105.0	120.0
Rated Current	Arms	11.5	16.8	20.3	26.5
Instantaneous Max Current	Arms	37.0	49.5	64.0	70.0
Rated Speed	r/min	1500	1500	1500	1500
Max. Speed	r/min	3000	3000	3000	3000
Rotor Moment of Inertia	x10-4kg m2	43.4 (49.2)	58.8 (64.6)	85.5 (91.5)	116.8 (123.0)
Weight	kg	14.6 (18.8)	17.6 (21.8)	23.2 (27.8)	29.0 (33.6)
Brake Rated Voltage	24 Vdc ± 10%				
Brated Rated Torque	Nm	≥44		≥72	
Flange	mm	180	180	180	180
Encoder Types	L (23-bit absolute)				
Shaft end load (Radial)	N	1470	1740	1764	1764
Shaft end load (Axial)	N	490	490	588	588
Insulation Class	F				
Ambient Temperature	0 ~ +40°C (No freezing)				
Ambient Humidity	20% ~ 80% RH (No condensing)				
Vibration	Dynamic ≤ 49m/s <sup>2</sup> (5G); Static ≤ 24.5m/s <sup>2</sup> ; Shock ≤ 98m/s <sup>2</sup> (10G)				
Enclosure	Totally Enclosed, Self cooled, IP65				

Model	Rated Power	Supply Voltage	Flange	Rated Speed	Encoder	Revision	Shaft End	Option	Connector Type
<b>MXM - 44</b>	<b>44</b>	<b>D</b>	<b>18</b>	<b>15</b>	<b>L</b>	<b>A</b>	<b>2</b>	<b>2</b>	<b>4</b>
29	2.9kW	A	13	1500RPM	T		2	With oil seal	4
44	4.4kW	D	18		L		2	Oil + brake	On motor
55	5.5kW								
75	7.5kW								

# MXM Motors

## 850W - 1.8kW (200V)

### Component Selection

Description	Trio Motor Part #	Motor Model	Trio Encoder Cable Part #	Encoder Cable (with battery)	Trio Encoder Cable Part # (no battery)	Encoder Cable (no battery)	Trio Power Cable Part #	Power Cable
200V, 850W, 23-bit encoder, no brake	M0767	MXM-09A1315LA224	X0440-X0444	EC3S-A1924-RX-nn	X0435-X0439	EC3S-I1924-RX-nn	X0510-X0514	EC3P-N9314-RX-nn
200V, 850W, 23-bit encoder, with brake	M0768	MXM-09A1315LA244	X0440-X0444	EC3S-A1924-RX-nn	X0435-X0439	EC3S-I1924-RX-nn	X0515-X0519	EC3P-B9314-RX-nn
200V, 850W, 17-bit encoder, no brake	M0790	MXM-09A1315TA224	X0440-X0444	EC3S-A1924-RX-nn	X0435-X0439	EC3S-I1924-RX-nn	X0510-X0514	EC3P-N9314-RX-nn
200V, 850W, 17-bit encoder, with brake	M0791	MXM-09A1315TA244	X0440-X0444	EC3S-A1924-RX-nn	X0435-X0439	EC3S-I1924-RX-nn	X0515-X0519	EC3P-B9314-RX-nn
400V, 850W, 23-bit encoder, no brake	M0792	MXM-09D1315LA224	X0440-X0444	EC3S-A1924-RX-nn	X0435-X0439	EC3S-I1924-RX-nn	X0510-X0514	EC3P-N9314-RX-nn
400V, 850W, 23-bit encoder, with brake	M0793	MXM-09D1315LA244	X0440-X0444	EC3S-A1924-RX-nn	X0435-X0439	EC3S-I1924-RX-nn	X0515-X0519	EC3P-B9314-RX-nn
400V, 850W, 17-bit encoder, no brake	M0794	MXM-09D1315TA224	X0440-X0444	EC3S-A1924-RX-nn	X0435-X0439	EC3S-I1924-RX-nn	X0510-X0514	EC3P-N9314-RX-nn
400V, 850W, 17-bit encoder, with brake	M0795	MXM-09D1315TA244	X0440-X0444	EC3S-A1924-RX-nn	X0435-X0439	EC3S-I1924-RX-nn	X0515-X0519	EC3P-B9314-RX-nn
200V, 1.3kW, 23-bit encoder, no brake	M0769	MXM-13A1315LA224	X0440-X0444	EC3S-A1924-RX-nn	X0435-X0439	EC3S-I1924-RX-nn	X0510-X0514	EC3P-N9314-RX-nn
200V, 1.3kW, 23-bit encoder, with brake	M0770	MXM-13A1315LA244	X0440-X0444	EC3S-A1924-RX-nn	X0435-X0439	EC3S-I1924-RX-nn	X0515-X0519	EC3P-B9314-RX-nn
200V, 1.3kW, 17-bit encoder, no brake	M0796	MXM-13A1315TA224	X0440-X0444	EC3S-A1924-RX-nn	X0435-X0439	EC3S-I1924-RX-nn	X0510-X0514	EC3P-N9314-RX-nn
200V, 1.3kW, 17-bit encoder, with brake	M0797	MXM-13A1315TA244	X0440-X0444	EC3S-A1924-RX-nn	X0435-X0439	EC3S-I1924-RX-nn	X0515-X0519	EC3P-B9314-RX-nn
400V, 1.3kW, 23-bit encoder, no brake	M0798	MXM-13D1315LA224	X0440-X0444	EC3S-A1924-RX-nn	X0435-X0439	EC3S-I1924-RX-nn	X0510-X0514	EC3P-N9314-RX-nn
400V, 1.3kW, 23-bit encoder, with brake	M0799	MXM-13D1315LA244	X0440-X0444	EC3S-A1924-RX-nn	X0435-X0439	EC3S-I1924-RX-nn	X0515-X0519	EC3P-B9314-RX-nn
400V, 1.3kW, 17-bit encoder, no brake	M0803	MXM-13D1315TA224	X0440-X0444	EC3S-A1924-RX-nn	X0435-X0439	EC3S-I1924-RX-nn	X0510-X0514	EC3P-N9314-RX-nn
400V, 1.3kW, 17-bit encoder, with brake	M0804	MXM-13D1315TA244	X0440-X0444	EC3S-A1924-RX-nn	X0435-X0439	EC3S-I1924-RX-nn	X0515-X0519	EC3P-B9314-RX-nn
400V, 1.8kW, 23-bit encoder, no brake	M0805	MXM-18D1315LA224	X0440-X0444	EC3S-A1924-RX-nn	X0435-X0439	EC3S-I1924-RX-nn	X0510-X0514	EC3P-N9314-RX-nn
400V, 1.8kW, 23-bit encoder, with brake	M0806	MXM-18D1315LA244	X0440-X0444	EC3S-A1924-RX-nn	X0435-X0439	EC3S-I1924-RX-nn	X0515-X0519	EC3P-B9314-RX-nn
400V, 1.8kW, 17-bit encoder, no brake	M0807	MXM-18D1315TA224	X0440-X0444	EC3S-A1924-RX-nn	X0435-X0439	EC3S-I1924-RX-nn	X0510-X0514	EC3P-N9314-RX-nn
400V, 1.8kW, 17-bit encoder, with brake	M0808	MXM-18D1315TA244	X0440-X0444	EC3S-A1924-RX-nn	X0435-X0439	EC3S-I1924-RX-nn	X0515-X0519	EC3P-B9314-RX-nn

The "nn" at the end of the ENCODER CABLE code represents the cable length: E.g: EC3S-I1724-RX-10 = 10 metre cable  
valid lengths are: 1M5, 05, 10, 15, 20. All lengths are in Metres

All "RX" cable are flexible and suitable for drag chain applications

# MXM Motors

## 2.9kW - 7.5kW (400V)

### Component Selection

Description	Trio Motor Part #	Motor Model	Trio Encoder Cable Part #	Encoder Cable (with battery)	Trio Encoder Cable Part # (no battery)	Encoder Cable (no battery)	Trio Power Cable Part #	Power Cable
400V, 2.9kW, 23-bit encoder, no brake	M0809	MXM-29D1815LA224	X0440-X0444	EC3S-A1924-05	X0435-X0439	EC3S-I1924-RX-nn	X0550-X0554	EC3P-N8214-RX-nn
400V, 2.9kW, 23-bit encoder, with brake	M0810	MXM-29D1815LA244	X0440-X0444	EC3S-A1924-05	X0435-X0439	EC3S-I1924-RX-nn	X0555-X0559	EC3P-B8214-RX-nn
400V, 4.4kW, 23-bit encoder, no brake	M0811	MXM-44D1815LA224	X0440-X0444	EC3S-A1924-05	X0435-X0439	EC3S-I1924-RX-nn	X0560-X0564	EC3P-N9212-RX-nn
400V, 4.4kW, 23-bit encoder, with brake	M0812	MXM-44D1815LA244	X0440-X0444	EC3S-A1924-05	X0435-X0439	EC3S-I1924-RX-nn	X0565-X0569	EC3P-B9212-RX-nn
400V, 5.5kW, 23-bit encoder, no brake	M0813	MXM-55D1815LA224	X0440-X0444	EC3S-A1924-05	X0435-X0439	EC3S-I1924-RX-nn	X0560-X0564	EC3P-N9212-RX-nn
400V, 5.5kW, 23-bit encoder, with brake	M0814	MXM-55D1815LA244	X0440-X0444	EC3S-A1924-05	X0435-X0439	EC3S-I1924-RX-nn	X0565-X0569	EC3P-B9212-RX-nn
400V, 7.5kW, 23-bit encoder, no brake	M0815	MXM-75D1815LA224	X0440-X0444	EC3S-A1924-05	X0435-X0439	EC3S-I1924-RX-nn	X0570-X0574	EC3P-N9211-RX-nn
400V, 7.5kW, 23-bit encoder, with brake	M0816	MXM-75D1815LA244	X0440-X0444	EC3S-A1924-05	X0435-X0439	EC3S-I1924-RX-nn	X0575-X0579	EC3P-B9211-RX-nn

The "nn" at the end of the ENCODER CABLE code represents the cable length: E.g: EC3S-I1724-RX-10 = 10 metre cable  
valid lengths are: 1M5, 05, 10, 15, 20. All lengths are in Metres

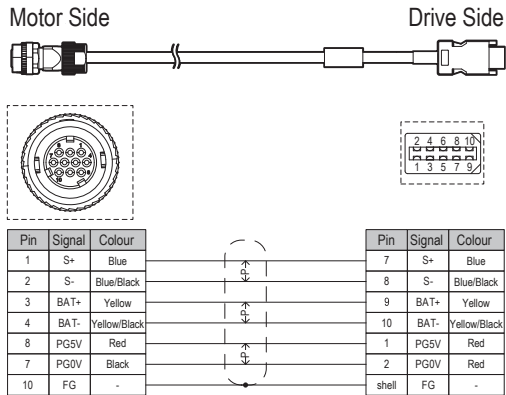
All "RX" cable are flexible and suitable for drag chain applications

# CABLES

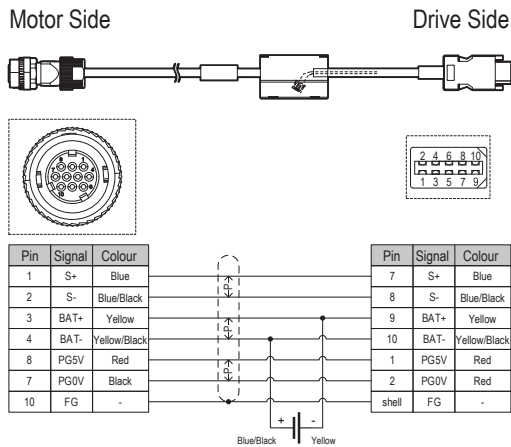
## Encoder Cables

### MXM Motors (850W - 7.5kW)

#### EC3S-I1924-RX-nn (Inc Encoder)



#### EC3S-A1924-RX-nn (Abs Encoder)

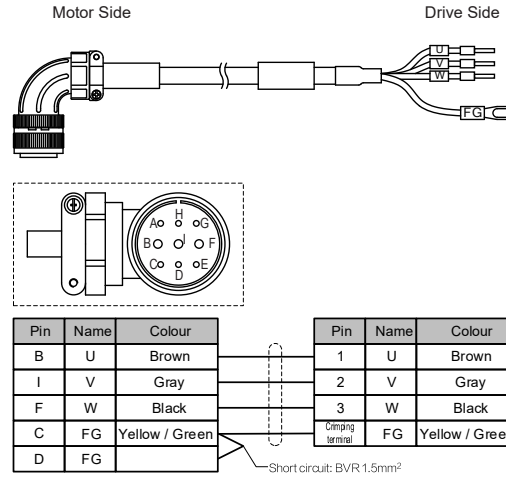


# CABLES

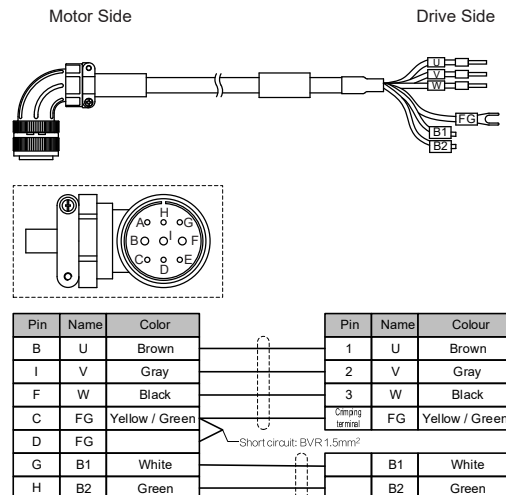
## Power Cables

### MXM Motors (850W - 1.8kW)

#### EC3P-N9314-RX-nn (No Brake)

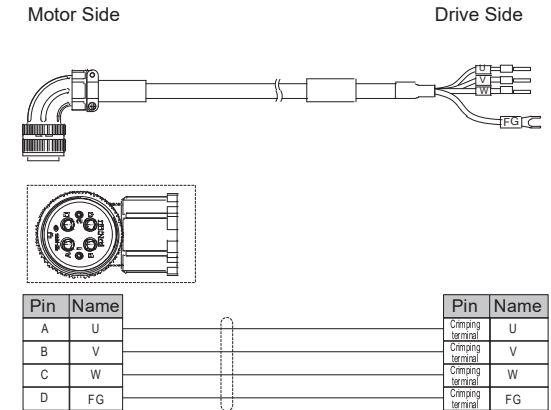


#### EC3P-B9314-RX-nn (Brake)

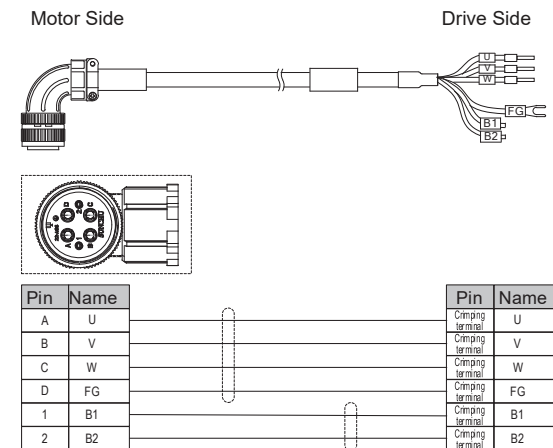


### MXM Motors (2.9kW)

#### EC3P-N8214-nn (No Brake)



#### EC3B-N8214-nn (Brake)

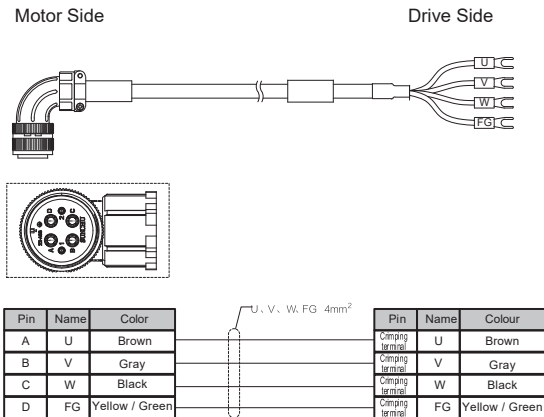


# CABLES

## Power Cables

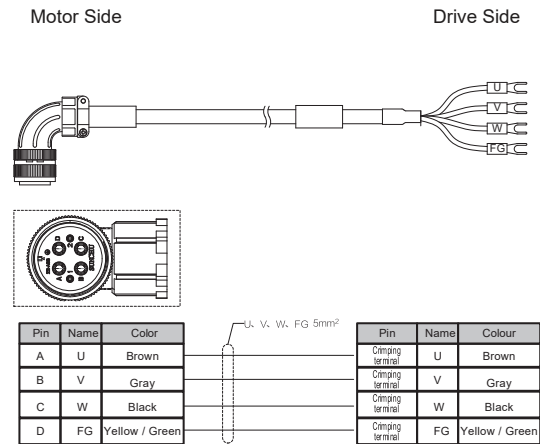
### MXM Motors (4.4kW - 5.5kW)

#### EC3P-N9212-nn (No Brake)

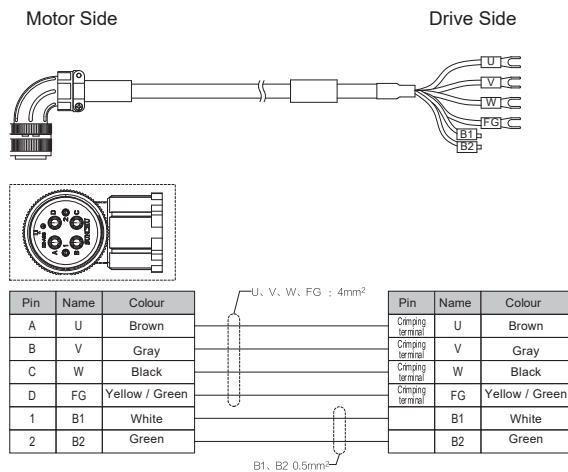


### MXM Motors (7.5kW)

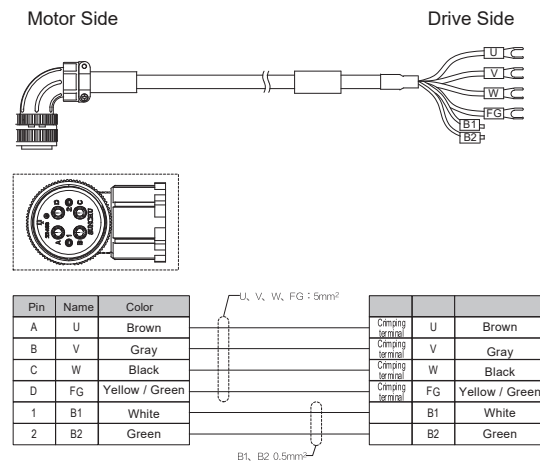
#### EC3P-N9211-nn (No Brake)



#### EC3P-B9212-nn (Brake)



#### EC3B-B9211-nn (Brake)





# CABLES

## Encoder Cables

### Component Selection

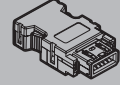
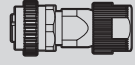
## Encoder Cables Connectors

### Component Selection

Trio part #	Cable	Description
X0435	EC3S-I1924-RX-1M5	1.5m Encoder cable, no battery (850W - 7.5kW)
X0436	EC3S-I1924-RX-05	5m Encoder cable, no battery (850W - 7.5kW)
X0437	EC3S-I1924-RX-10	10m Encoder cable, no battery (850W - 7.5kW)
X0438	EC3S-I1924-RX-15	15m Encoder cable, no battery (850W - 7.5kW)
X0439	EC3S-I1924-RX-20	20m Encoder cable, no battery (850W - 7.5kW)
X0440	EC3S-A1924-RX-1M5	1.5m Encoder cable, with battery (850W - 7.5kW)
X0441	EC3S-A1924-RX-05	5m Encoder cable, with battery (850W - 7.5kW)
X0442	EC3S-A1924-RX-10	10m Encoder cable, with battery (850W - 7.5kW)
X0443	EC3S-A1924-RX-15	15m Encoder cable, with battery (850W - 7.5kW)
X0444	EC3S-A1924-RX-20	20m Encoder cable, with battery (850W - 7.5kW)
X0606	EC3S-I1924-XX	Encoder cable connectors only, no battery (850W - 7.5kW)
X0607	EC3S-A1924-XX	Encoder cable connectors only, with battery (850W - 7.5kW)

The XX at the end of the ENCODER CABLE code represents the cable length:  
E.g: EC3S-I1724-RX-10 = 10 metre cable.  
valid lengths are: 1M5, 05, 10, 15, 20. All lengths are in Metres

All 'RX' cable are flexible and suitable for drag chain applications

Description	Function	
Encoder plug (Drive)	DX Drive	
Encoder plug (Motor) (straight, 10pin, 3A)	MXL motor (1.5kW - 5kW) X0606 - EC3S-I1924-XX X0607 - EC3S-A1924-XX	

N.B.: Encoder cable connector pack includes motor side and drive drive side connector

# CABLES

## Power Cables

### Component Selection

Trio part #	Cable	Description
X0510	EC3P-N9314-RX-1M5	1.5m Power cable, no brake (850W - 1.8kW)
X0511	EC3P-N9314-RX-05	5m Power cable, no brake (850W - 1.8kW)
X0512	EC3P-N9314-RX-10	10m Power cable, no brake (850W - 1.8kW)
X0513	EC3P-N9314-RX-15	15m Power cable, no brake (850W - 1.8kW)
X0514	EC3P-N9314-RX-20	20m Power cable, no brake (850W - 1.8kW)
X0515	EC3P-N9314-RX-1M5	1.5m Power cable, with brake (850W - 1.8kW)
X0516	EC3P-N9314-RX-05	5m Power cable, with brake (850W - 1.8kW)
X0517	EC3P-N9314-RX-10	10m Power cable, with brake (850W - 1.8kW)
X0518	EC3P-N9314-RX-15	15m Power cable, with brake (850W - 1.8kW)
X0519	EC3P-N9314-RX-20	20m Power cable, with brake (850W - 1.8kW)
X0550	EC3P-N8214-RX-1M5	1.5m Power cable, no brake (2.9kW)
X0551	EC3P-N8214-RX-05	5m Power cable, no brake (2.9kW)
X0552	EC3P-N8214-RX-10	10m Power cable, no brake (2.9kW)
X0553	EC3P-N8214-RX-15	15m Power cable, no brake (2.9kW)
X0554	EC3P-N8214-RX-20	20m Power cable, no brake (2.9kW)
X0555	EC3P-B8214-RX-1M5	1.5m Power cable, with brake (2.9kW)
X0556	EC3P-B8214-RX-05	5m Power cable, with brake (2.9kW)
X0557	EC3P-B8214-RX-10	10m Power cable, with brake (2.9kW)
X0558	EC3P-B8214-RX-15	15m Power cable, with brake (2.9kW)
X0559	EC3P-B8214-RX-20	20m Power cable, with brake (2.9kW)
X0560	EC3P-N9212-RX-1M5	1.5m Power cable, no brake (4.4kW - 5.5kW)
X0561	EC3P-N9212-RX-05	5m Power cable, no brake (4.4kW - 5.5kW)
X0562	EC3P-N9212-RX-10	10m Power cable, no brake (4.4kW - 5.5kW)
X0563	EC3P-N9212-RX-15	15m Power cable, no brake (4.4kW - 5.5kW)
X0564	EC3P-N9212-RX-20	20m Power cable, no brake (4.4kW - 5.5kW)
X0565	EC3P-B9212-RX-1M5	1.5m Power cable, with brake (4.4kW - 5.5kW)
X0566	EC3P-B9212-RX-05	5m Power cable, with brake (4.4kW - 5.5kW)
X0567	EC3P-B9212-RX-10	10m Power cable, with brake (4.4kW - 5.5kW)
X0568	EC3P-B9212-RX-15	15m Power cable, with brake (4.4kW - 5.5kW)
X0569	EC3P-B9212-RX-20	20m Power cable, with brake (4.4kW - 5.5kW)

Trio part #	Cable	Description
X0570	EC3P-N9211-RX-1M5	1.5m Power cable, no brake (7.5kW)
X0571	EC3P-N9211-RX-05	5m Power cable, no brake (7.5kW)
X0572	EC3P-N9211-RX-10	10m Power cable, no brake (7.5kW)
X0573	EC3P-N9211-RX-15	15m Power cable, no brake (7.5kW)
X0574	EC3P-N9211-RX-20	20m Power cable, no brake (7.5kW)
X0575	EC3P-B9211-RX-1M5	1.5m Power cable, with brake (7.5kW)
X0576	EC3P-B9211-RX-05	5m Power cable, with brake (7.5kW)
X0577	EC3P-B9211-RX-10	10m Power cable, with brake (7.5kW)
X0578	EC3P-B9211-RX-15	15m Power cable, with brake (7.5kW)
X0579	EC3P-B9211-RX-20	20m Power cable, with brake (7.5kW)
X0710	EC3P-N9314-XX	Power cable connector only, no brake (850W - 1.8kW)
X0711	EC3P-B9314-XX	Power cable connector only, with brake (850W - 1.8kW)
X0712	EC3P-N8214-XX	Power cable connector only, no brake (2.9kW)
X0713	EC3P-B8214-XX	Power cable connector only, with brake (2.9kW)
X0714	EC3P-N9212-XX	Power cable connector only, no brake (4.4kW - 5.5kW)
X0715	EC3P-B9212-XX	Power cable connector only, with brake (4.4kW - 5.5kW)
X0716	EC3P-N9211-XX	Power cable connector only, no brake (7.5kW)
X0717	EC3P-B9211-XX	Power cable connector only, with brake (7.5kW)

## Motor Cables Connectors

### Component Selection

Description	Function
Motor power plug (right angle, 9pin, 13A)	MXM motor (850W - 1.8kW) X0710 - EC3P-N9314-XX X0711 - EC3P-B9314-XX
Motor power plug (right angle, 6 pin, 13A, 46A)	MXM motor (2.9kW - 7.5kW) X0712 - EC3P-N8214-XX X0713 - EC3P-B8214-XX X0714 - EC3P-N9212-XX X0715 - EC3P-B9212-XX X0716 - EC3P-N9211-XX X0717 - EC3P-B9211-XX



N.B: Power cable connector pack includes only motor side connector as drive side connector is included with the drive

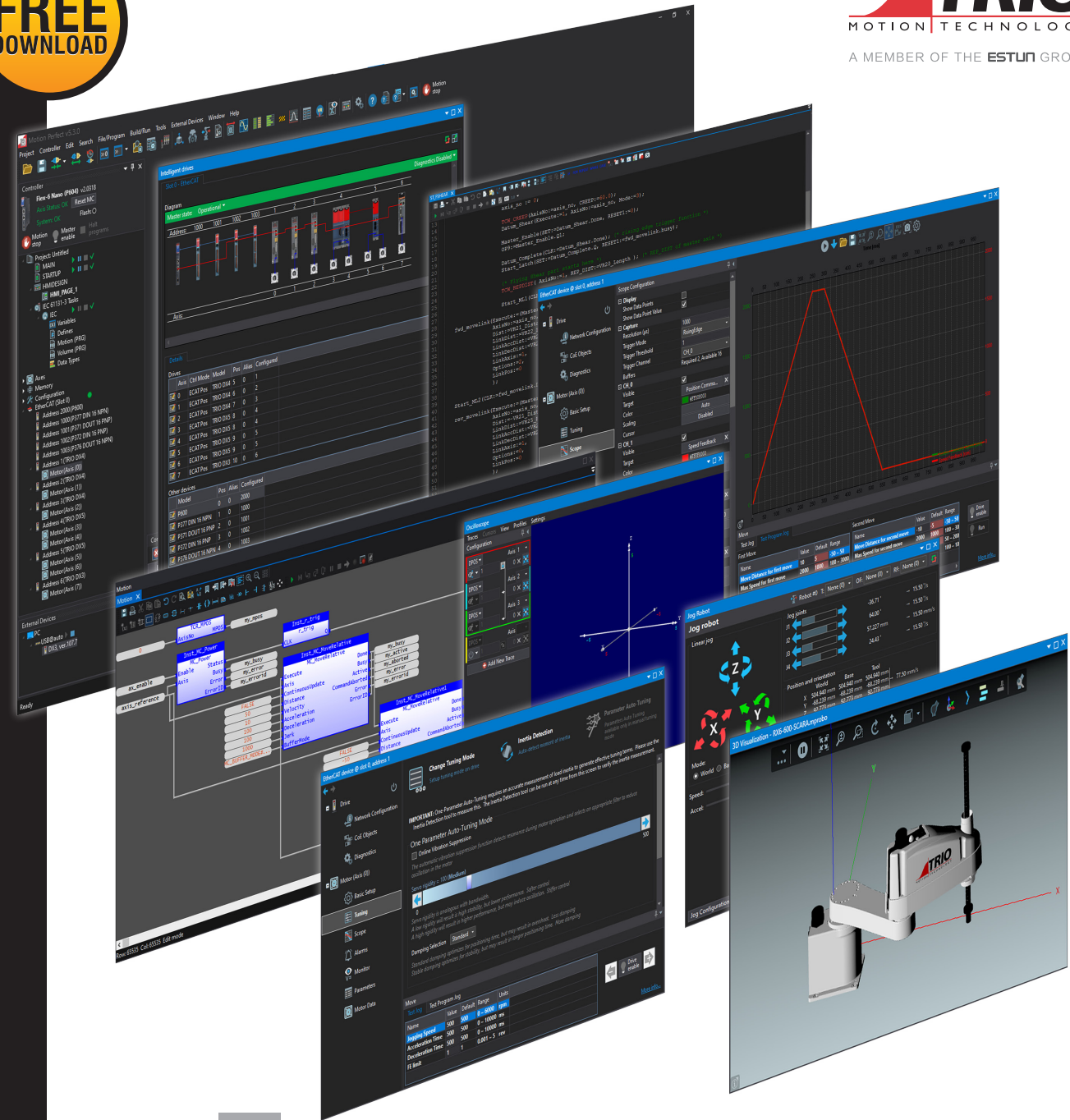
# Motion Perfect

Design, Develop, Test, Deploy and Secure



Motion Perfect provides the user with an easy to understand interface for rapid application development, including configuration and setup of drives, controllers and HMI.

A fully featured IDE for program development and debugging in all Motion-iX languages, multi-page HMI screen development and diagnostic tools for machine commission. Motion Perfect allows complete machine setup from a single software package.



# TRIO

## Worldwide Network

**TRIO OFFICES**  
 UK - Tewkesbury HQ  
 USA - Pittsburgh  
 India - Pune  
 China - Shanghai  
 Italy - Milan

**R&D Centres**  
 2 x Control & Software Technology  
 2 x Servo Drives & motors

**EUROPE**  
 BELGIUM  
 DENMARK  
 FRANCE  
 GERMANY

HUNGARY  
**ITALY**  
 NETHERLANDS  
 NORWAY

POLAND  
 PORTUGAL  
 ROMANIA  
 SLOVAKIA

SLOVENIA  
 SPAIN  
 TURKEY

**NORTH AMERICA**

ALABAMA  
 ARIZONA  
 CALIFORNIA  
 ONTARIO  
 QUEBEC  
 COLORADO  
 CONNECTICUT  
 FLORIDA  
 GEORGIA  
 ILLINOIS  
 INDIANA  
 IOWA  
 MASSACHUSETTS  
 MEXICO  
 MICHIGAN

MINNESOTA  
 MISSISSIPPI  
 NEW JERSEY  
 NEW YORK  
 NORTH CAROLINA  
 OHIO  
**PENNSYLVANIA**  
 SOUTH CAROLINA  
 TENNESSEE  
 TEXAS  
 UTAH  
 VIRGINIA  
 WASHINGTON  
 WISCONSIN

**SOUTH AMERICA**  
 ARGENTINA  
 BRAZIL

**CHINA**  
 BEIJING  
 DONGGUAN  
 GUANGDONG  
**SHANGHAI**  
 YANTAI

**MIDDLE EAST**  
 ISRAEL  
 UAE

**ASIA**  
 INDIA  
 KOREA  
 SINGAPORE  
 TAIWAN  
 THAILAND

**OCEANIA**  
 AUSTRALIA  
 NEW ZEALAND

**4**  
 R&D Centres

**18**  
 Integrators

**32**  
 Countries of Sale

**103**  
 Sales Partners Globally



A MEMBER OF THE **ESTUN** GROUP

## TRIO MOTION TECHNOLOGY MX MOTORS & CABLES

Trio Motion Technology specialises in advanced motion control as a core, providing a range of *Motion Coordinators*, drives and motors, expansion interfaces, I/O modules and HMI's built on *Motion-ix* technologies and designed to enable the control of industrial machines with the minimum of external components.

In support of the Trio concept, we aim to offer the best technical support by telephone, email, our comprehensive website and training courses held throughout the year. Please look at our web site for details.

[www.triomotion.com](http://www.triomotion.com)



TRIO MOTION TECHNOLOGY  
UK | USA | CHINA | INDIA  
[WWW.TRIMOTION.COM](http://WWW.TRIMOTION.COM)

©Trio Motion Technology 2023. All Trademarks are acknowledged.  
Specifications may be subject to change without notice. E & O.E.

Version 1-MX Motor Series brochure-2022