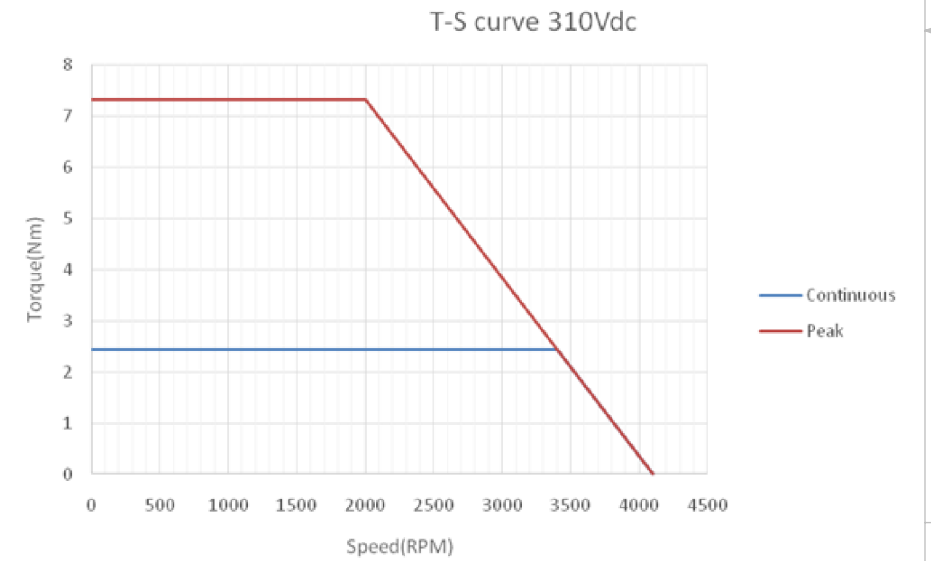
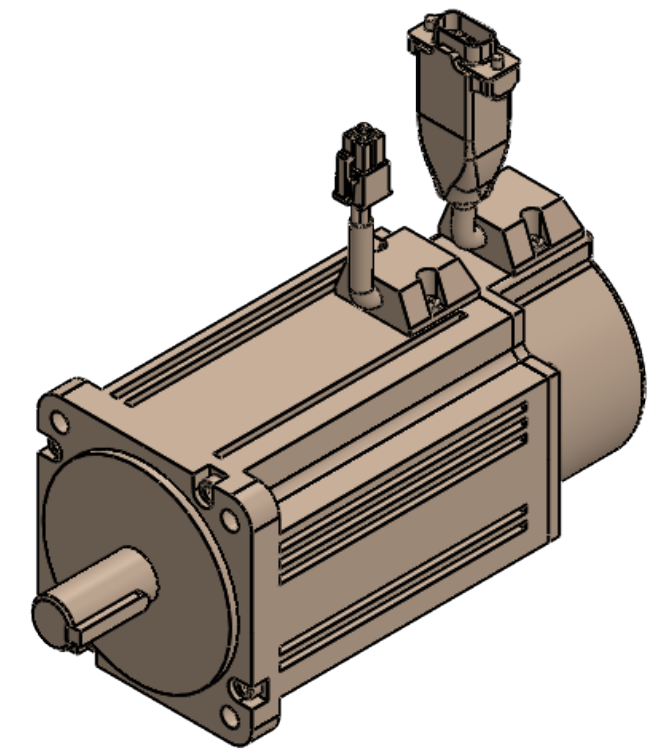
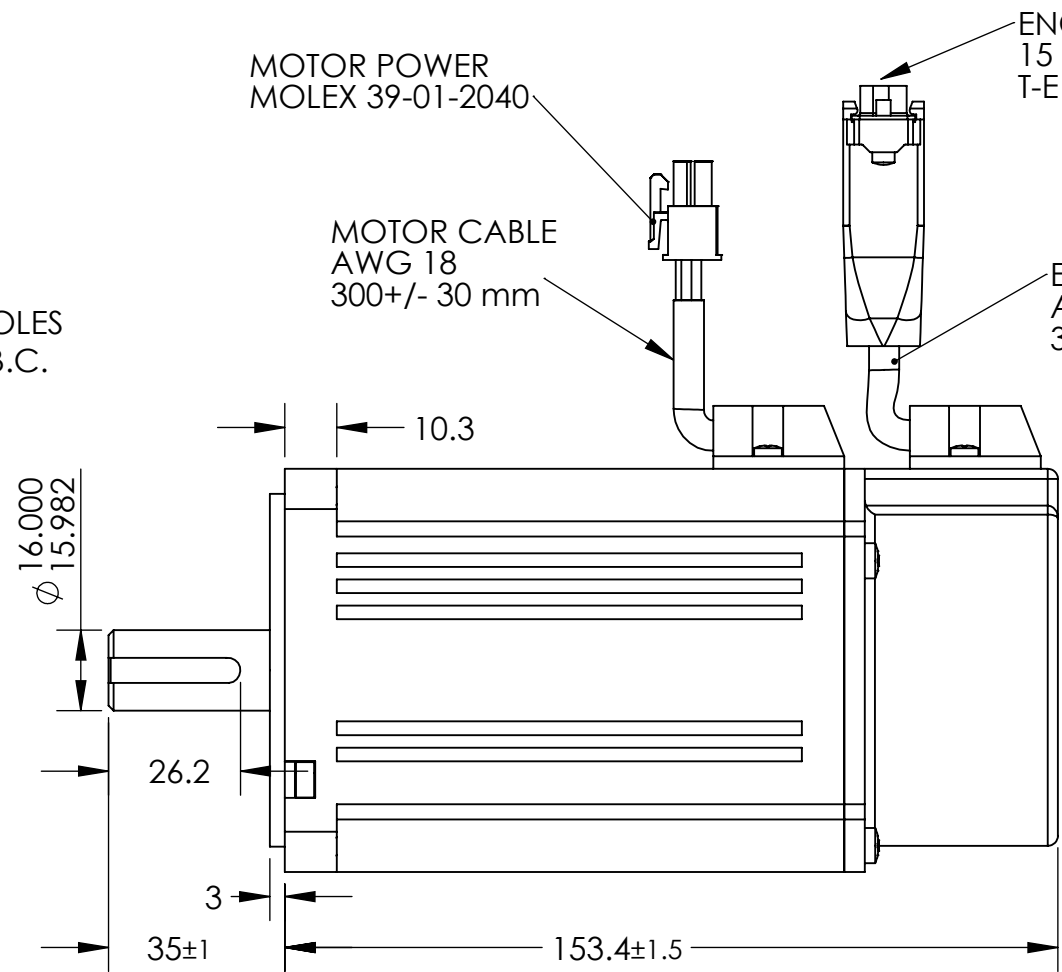
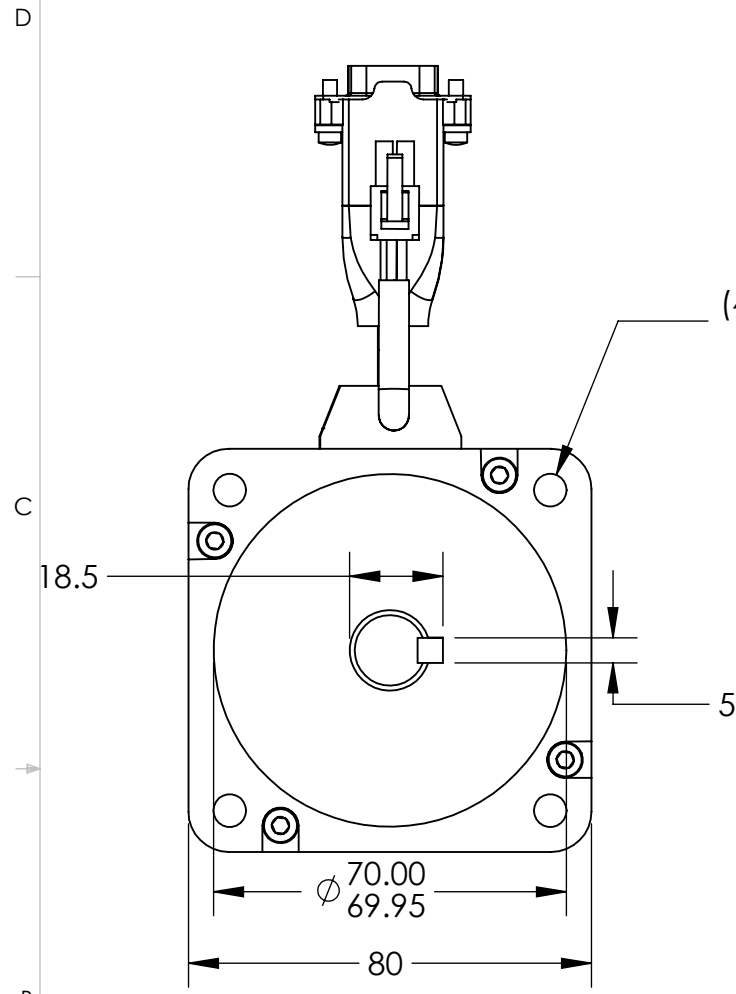


- NOTES:
 1. K_t AND K_e BASED ON RMS SINUSOIDAL DRIVE
 2. 8 POLE DESIGN

PART REVISION HISTORY					
REV.	DESCRIPTION	ECO	DWN	CHKD	DATE



MOTOR PARAMETERS		
		MP80-2B
MAX BUS VOLTAGE	VDC	310
RATE SPEED	RPM	3000
RATED TORQUE @ 3000 RPM	N-m	2.44
POWER @ RATED SPEED	WATTS	765
PEAK TORQUE	N-m	7.2
CONTINUOUS CURRENT 0-p	AMPS	3
PEAK CURRENT 0-p	AMPS	9
VOLTAGE CONSTANT, K_e rms	V/KRPM	43
TORQUE CONSTANT, K_t rms	N-m/A	0.411
RESISTANCE	OHM	2.4
INDUCTANCE	mH	6.5
MOMENT OF INERTIA	Kg-cm ²	1.45
INSULATION CLASS		F
WEIGHT	Kg	2.8

FEEDBACK		
Pin	Color	Function
1	Red	5 vdc
2	Black	GND
3	Blue	Chl A
4	BLU/BLK	Chl A/
5	Green	Chl B
6	GRN/BLK	Chl B/
7	Yellow	Index
8	YEL/BLK	Index/
9		
10	Brown	
11	White	COMM A
12	Gray	COMM B
13	WHT/ORG	COMM C
14		
15	Shield	Shield

ENCODER SPECIFICATIONS	
TYPE	OPTICAL
OUTPUT TYPE	LINE DRIVER
LINE COUNT	2500
GATED	A / B AT 90 DEDREE
INPUT VOLTAGE	5 VDC +/- 5%
CURRENT	55 mA TYPICAL

Motor leads		
Pin	Color	Function
1	Yellow	Phase U
2	Green	Phase V
3	Blue	Phase W
4	GRN/YEL	CASE

NOTICE ON REPRODUCTIONS
 THIS DRAWING THE DESIGN AND THE PATENTS IT COVERS ARE THE PROPERTY OF CYMATIX, INC., OR THEIR CUSTOMERS. THEY WILL NOT BE REPRODUCED, COPIED, LOANED, EXHIBITED NOR USED EXCEPT IN THE LIMITED WAY AND THE PRIVATE USE PERMITTED BY THE CONSENT GIVEN BY THE LENDER TO THE BORROWER.

TOLERANCES UNLESS OTHERWISE SPECIFIED (U.O.S.)			
DECIMALS	C'BREAKS	FRAC.	MACH. FIN.
.XX = ± .01	.010/.020	1/64	125 /
.XXX = ± .005	FILLETS	ANGLES	1°
.XXXX = ± .0005	.020 MAX		



TITLE: BL MOTOR, 80 MM, 310 VDC
2500 PPR

DRAWN	JPB	DATE	02/10/22	SIZE	B	PART NO.	MP80-2B-MX2500-CN-001	PART REV.	A
CHECKED	TPB	DATE	02/10/22	SCALE:	NONE	SHEET 1 OF 1	DWG.NO.	R	