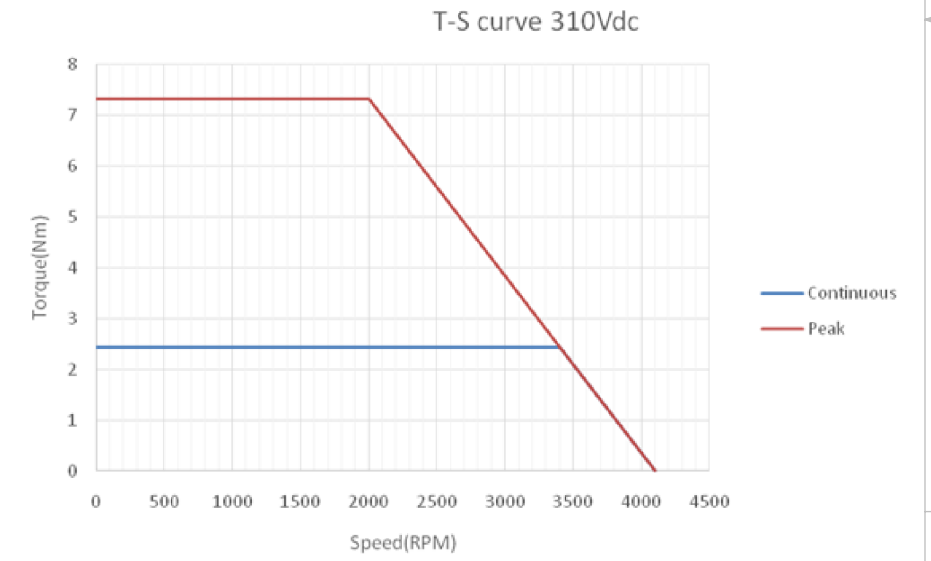
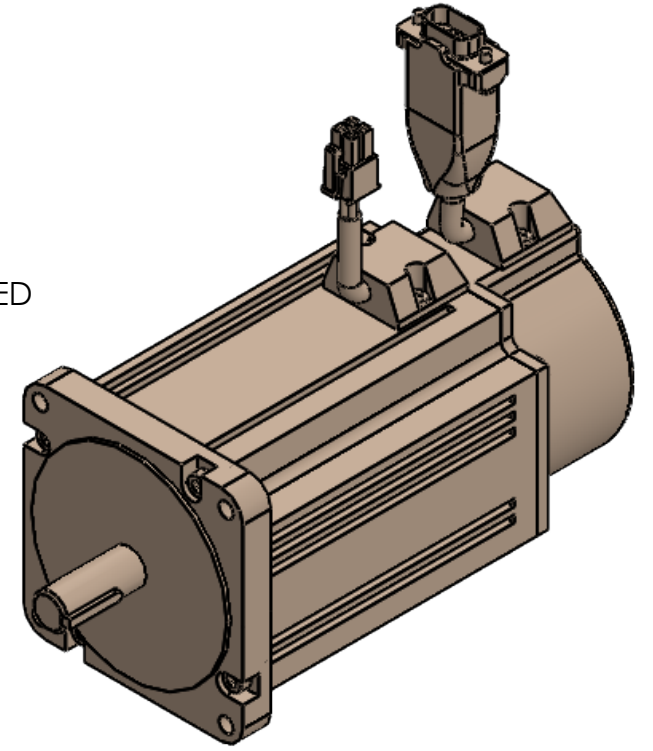
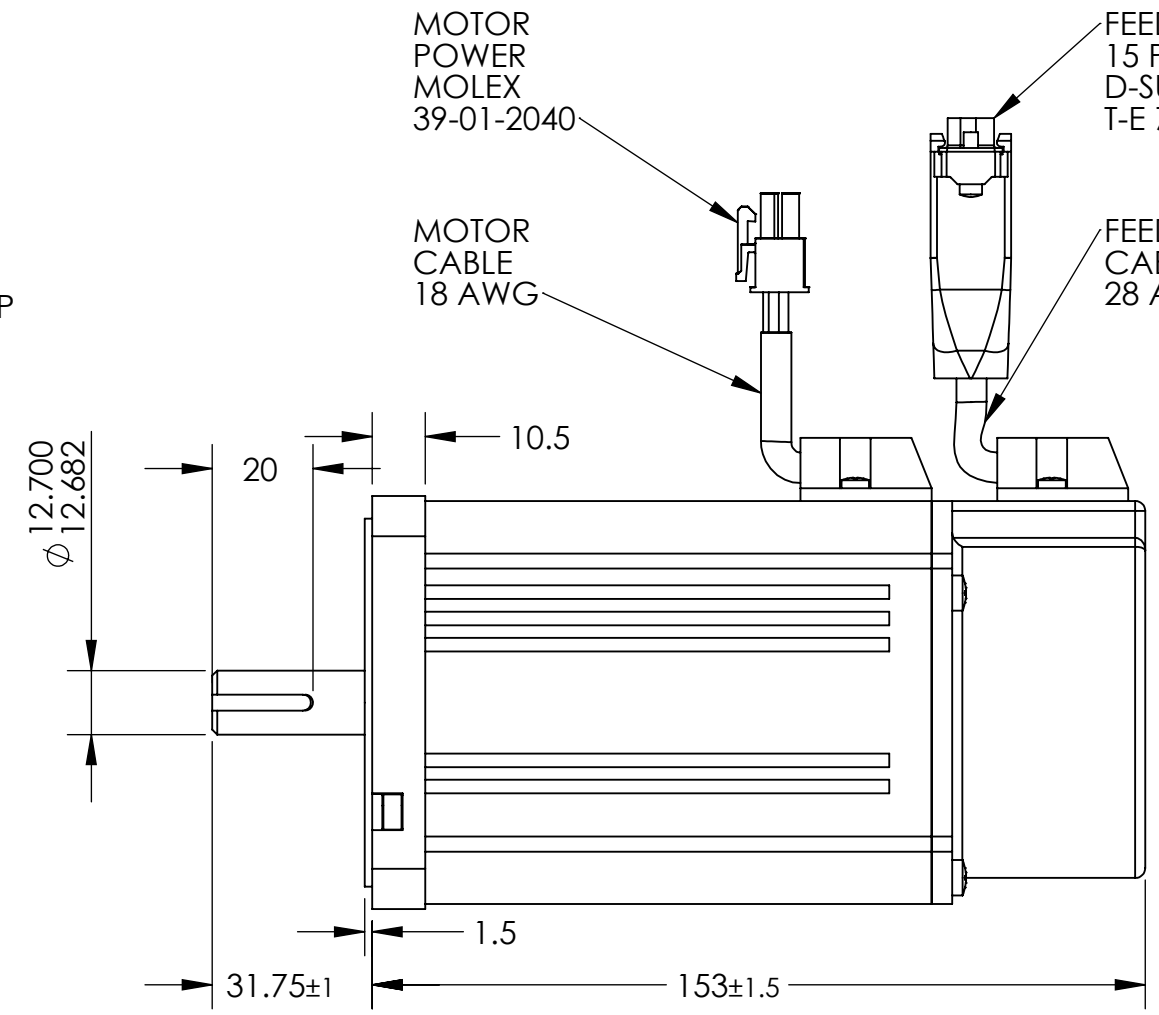
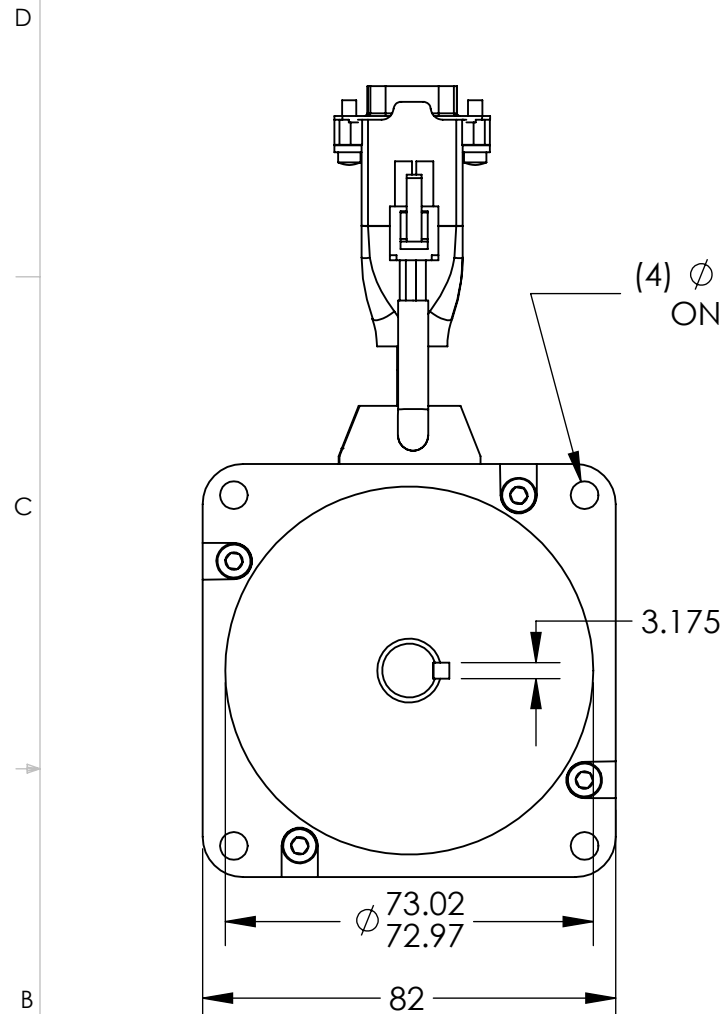


- NOTES:
1. Kt AND Ke BASED ON RM SINE WAVE DRIVE
 2. 8 POLE DESIGN
 3. OPTIONAL 1.7 N-m FAIL SAFE BRAKE 24 vdc
ADD 231 MM LENGTH

PART REVISION HISTORY					
REV.	DESCRIPTION	ECO	DWN	CHKD	DATE



MOTOR PARAMETERS		
BUS VOLTAGE	VDC	310
RATE SPEED	RPM	3000
RATED TORQUE @ 3000 RPM	N-m	2.44
POWER @ RATED SPEED	WATTS	765
PEAK TORQUE	N-m	7.2
CONTINUOUS CURRENT 0-p	AMPS	3
PEAK CURRENT 0-p	AMPS	9
VOLTAGE CONSTANT, Ke rms	V/KRPM	43
TORQUE CONSTANT, Kt rms	N-m/A	0.411
RESISTANCE	OHM	2.4
INDUCTANCE	mH	6.5
MOMENT OF INERTIA	Kg-cm2	1.45
INSULATION CLASS		F
WEIGHT	Kg	2.8

FEEDBACK		
Pin	Color	Function
1	Red	5 vdc
2	Black	GND
3	Blue	Chl A
4	BLU/BLK	Chl A/
5	Green	Chl B
6	GRN/BLK	Chl B/
7	Yellow	Index
8	YEL/BLK	Index/
9		
10		
11	Brown	COMM A
12	White	COMM B
13	Gray	COMM C
14		
15	Shield	Shield

Motor leads		
Molex 39-01-2040		
Pin	Color	Function
1	Yellow	Phase U
2	Green	Phase V
3	Blue	Phase W
4	YEL/GRN	CASE

ENCODER SPECIFICATIONS	
TYPE	OPTICAL
OUTPUT TYPE	LINE DRIVER
LINE COUNT	2500
GATED	A / B AT 90 DEDREE
INPUT VOLTAGE	5 VDC +/- 5%
CURRENT	55 mA TYPICAL

NOTICE ON REPRODUCTIONS
THIS DRAWING THE DESIGN AND THE PATENTS IT COVERS ARE THE PROPERTY OF CYMATIX, INC., OR THEIR CUSTOMERS. THEY WILL NOT BE REPRODUCED, COPIED, LOANED, EXHIBITED NOR USED EXCEPT IN THE LIMITED WAY AND THE PRIVATE USE PERMITTED BY THE CONSENT GIVEN BY THE LENDER TO THE BORROWER.

DECIMALS	C'BREAKS	FRAC.	MACH. FIN.
.XX = ± .01	.010/.020	1/64	125
.XXX = ± .005	FILLETS	ANGLES	
.XXXX = ± .0005	.020 MAX	1°	

MATERIAL	
FINISH	
DRAWN	JPB
DATE	10/13/21
CHECKED	TPB
DATE	10/13/21

CYMATIX INC.

TITLE: BL MOTOR, NEMA 34, 310 VDC
2500 PPR

PART NO. EP34-2B-BX2500-CN-001

SCALE: NONE SHEET 1 OF 1 DWG.NO. R