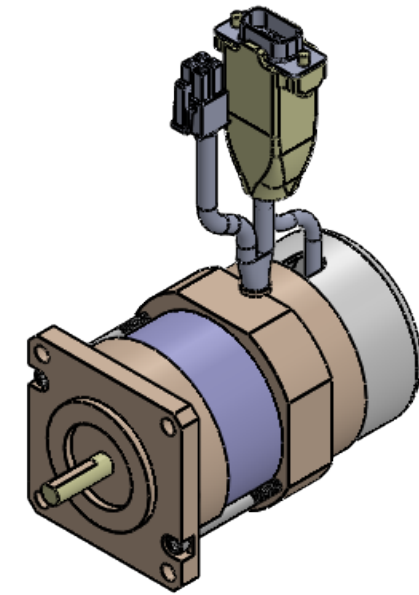
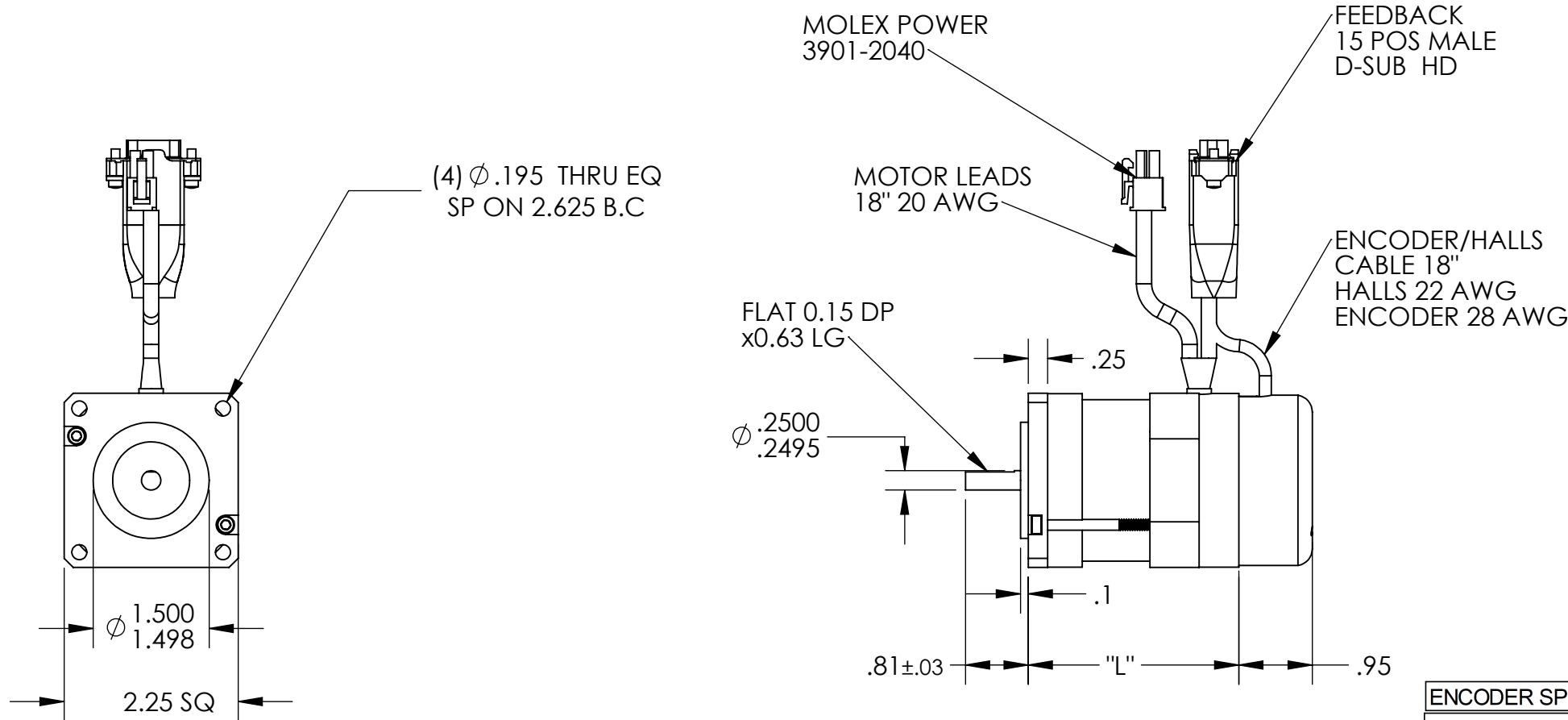


NOTES:

1. Kt AND Ke BASED ON PEAK SINE WAVE
2. 4 POLE DESIGN
3. OPTIONAL MULTI-TURN ABSOLUTE ENCODER  
BISS-C OUTPUT, 17 BIT RESOLUTION, 16 BIT TURNS,  
NO BATTERY REQUIRED
4. OPTIONAL 0.8 N-m FAIL SAFE BRAKE, 24 VDC  
ADD 2.24" TO "L"

PART REVISION HISTORY

REV.	DESCRIPTION	ECO	DWN	CHKD	DATE



FEEDBACK		
T-E 748364-1		
Pin	Color	Function
1	Red	5 vdc
2	Black	GND
3	Brown	Chl A
4	White	Chl A/
5	Blue	Chl B
6	Green	Chl B/
7	Orange	Index
8	Yellow	Index/
9	Red	Hall 5 vdc
10	Black	Hall GND
11	Brown	Hall A
12	Orange	Hall B
13	Yellow	Hall C
14		
15	Shield	Shield

ENCODER SPECIFICATIONS	
TYPE	OPTICAL
OUTPUT TYPE	LINE DRIVER
LINE COUNT	5000 LINE
GATED	A / B AT 90 DEGREE
INPUT VOLTAGE	5 VDC +/- 5%
CURRENT	65 mA TYPICAL

MOTOR PARAMETERS				
		EP23-1A	EP23-2A	EP23-3A
MAX TERMINAL VOLTAGE	VDC	170	170	170
RATED SPEED	RPM	6000	6000	6000
RATED TORQUE	Oz-In	50	90	110
PEAK TORQUE	Oz-In	150	270	330
CONTINUOUS CURRENT	AMPS	3.6	5.2	7
PEAK CURRENT	AMPS	10.8	15.5	21.1
VOLTAGE CONSTANT, Ke	V/KRPM	11.2	14.0	12.6
TORQUE CONSTANT, Kt	Oz-In/A	15.1	18.9	17.0
RESISTANCE	OHM	2.09	1.16	0.58
INDUCTANCE	mH	1.6	1.1	0.54
MOMENT OF INERTIA	Oz-In-Sec <sup>2</sup>	.0019	.0037	.0055
"L" LENGTH	INCH	2.8	3.8	4.8
WEIGHT	LBS	1.5	2.2	3

MOTOR CONNECTOR		
MOLEX 39-01-2040		
POS	COLOR	VALUE
1	RED	PHASE R
2	WHITE	PHASE S
3	BLUE	PHASE T
4	GREEN	CASE

**NOTICE ON REPRODUCTIONS**  
THIS DRAWING THE DESIGN AND THE PATENTS IT COVERS ARE THE PROPERTY OF CYMATIX, INC., OR THEIR CUSTOMERS. THEY WILL NOT BE REPRODUCED, COPIED, LOANED, EXHIBITED NOR USED EXCEPT IN THE LIMITED WAY AND THE PRIVATE USE PERMITTED BY THE CONSENT GIVEN BY THE LENDER TO THE BORROWER.

**TOLERANCES UNLESS OTHERWISE SPECIFIED (U.O.S.)**  
 DECIMALS .XX = ± .01  
 .XXX = ± .005  
 .XXXX = ± .0005  
 C'BREAKS .010/.020  
 FILLETS .020 MAX  
 FRAC. 1/64  
 ANGLES 1°  
 MACH. FIN. 125



TITLE: NEMA 23 BRUSHLESS DC MOTOR

DRAWN	JPB	DATE	02/08/22	SIZE	B	PART NO.	EP23-XA-MX5000-CN-001	PART REV.	A
CHECKED	TPB	DATE	02/08/22	SCALE:	NONE	SHEET	1 OF 1	DWG. NO.	R