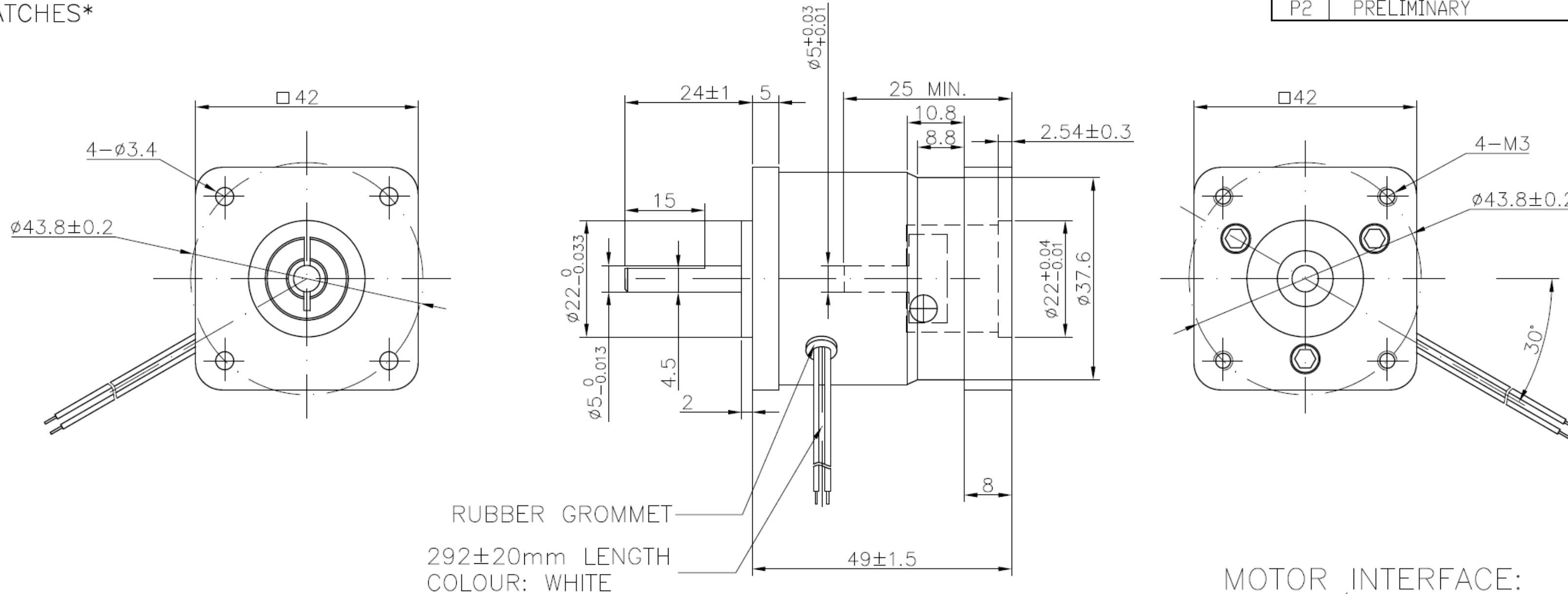


NOTES:
 1.SURFACE QUALITY: NOT ALLOW DENTS AND SCRATCHES*

REV	DESCRIPTION	DATE	APPROVE
P1	PRELIMINARY	16/06/06	XM
P2	PRELIMINARY	16/06/14	XM

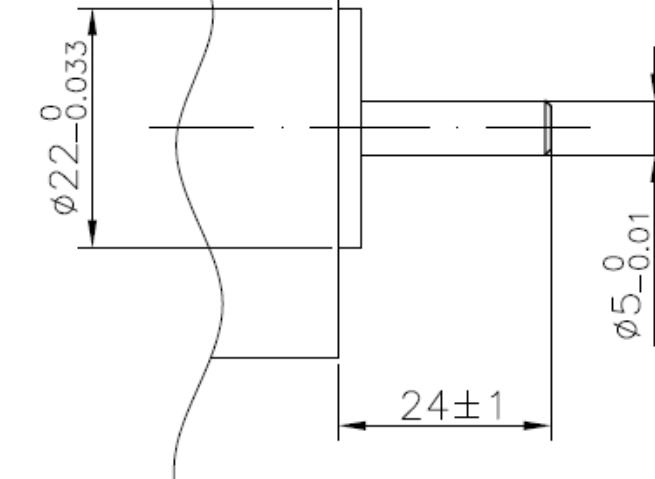
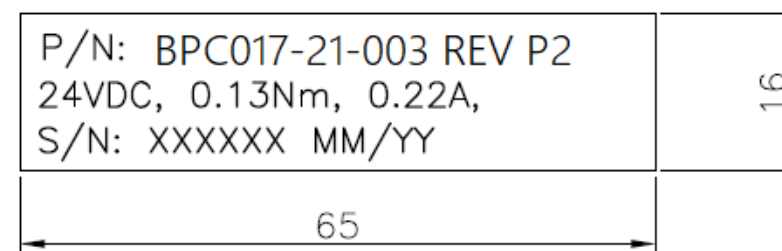


RUBBER GROMMET
 292±20mm LENGTH
 COLOUR: WHITE

MOTOR INTERFACE:

SPECIFICATION:

1. VOLTAGE:24VDC
2. STATIC TORQUE:0.113Nm
3. RATED CURRENT:0.22A
4. POWER:5.28W
5. RESISTENCE:100 Ohms
6. START VOLTAGE:15VDC MAX.
7. HI-POT: 500VAC/1S, 2mA
8. POWER OFF BRAKE



NOTE: THIS DRAWING HAS BEEN CREATED BY AUTOCAD. MANUAL REVISIONS ARE NOT ALLOWED.

MATERIAL		TOLERANCE UNLESS OTHERWISE SPECIFIED ISO 2768-1 MEDIUM			
DRAWN XXX	CHECKED	APPROVED - DATE	FILENAME	DATE xx/xx/xx	SCALE N/A
CYMATIX			BRAKE		
			BPC017-21-003 REV P2		