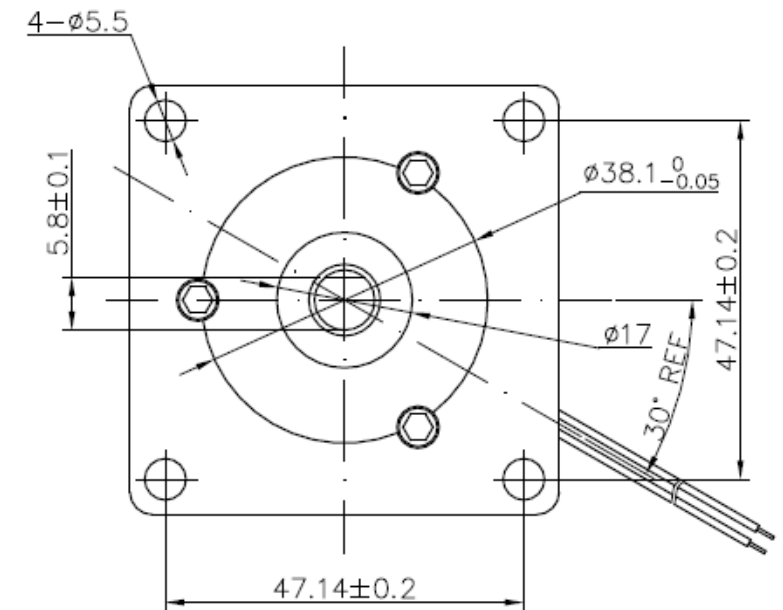
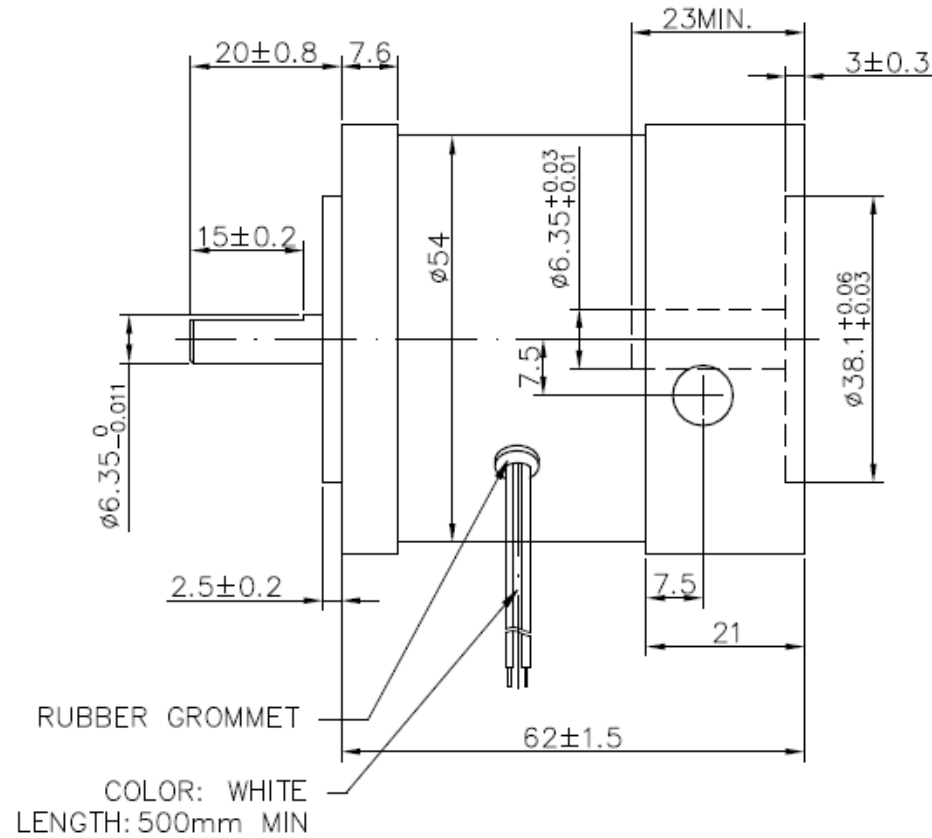
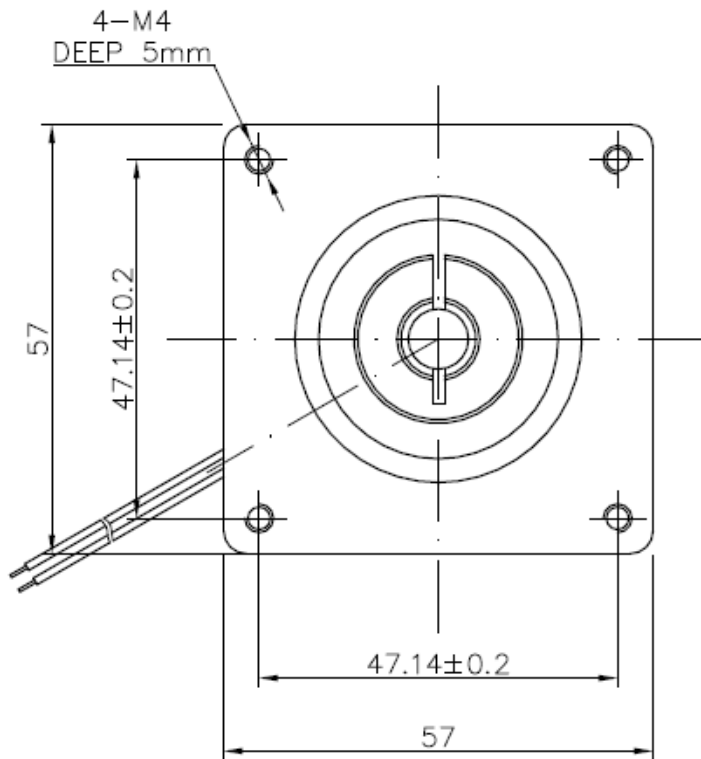
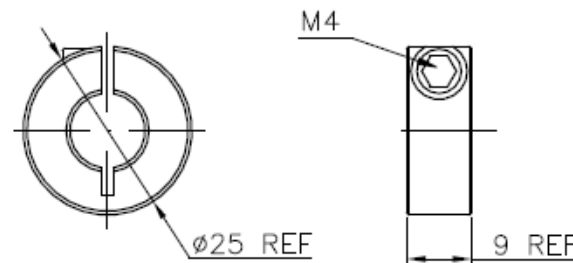
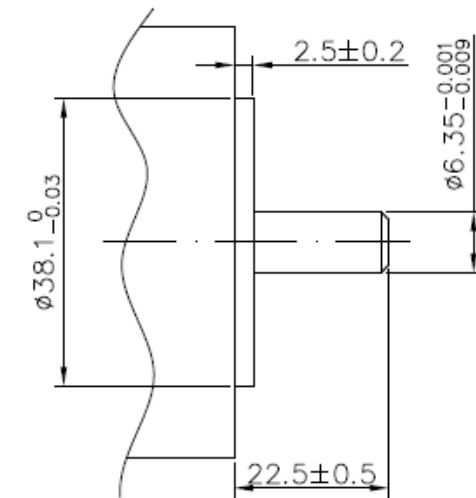


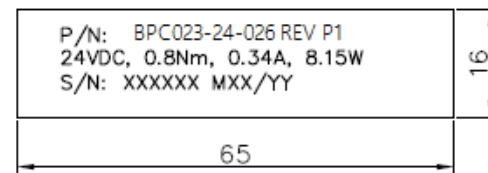
REV	DESCRIPTION	DATE	APPROVE
P1	PRELIMINARY	22/02/09	ZZF



MOTOR INTERFACE:



- NOTE:
- VOLTAGE: 24VDC
 - STATIC TORQUE: 0.8Nm Min.
 - RATED CURRENT: 0.34A
 - POWER: 8.1W
 - RESISTANCE: 74 Ohms
 - START VOLTAGE: 20VDC MAX.
 - HI-POT: 500VAC/1S, 2mA
 - MOMENT OF INERTIA: 27.7 g.cm²
 - POWER OFF BRAKE



P/N: BPC023-24-026 REV P1
 24VDC, 0.8Nm, 0.34A, 8.15W
 S/N: XXXXXX MXX/YY

NOTE: THIS DRAWING HAS BEEN CREATED BY AUTOCADMANUAL REVISIONS ARE NOT ALLOWED.

MATERIAL		TOLERANCE UNLESS OTHERWISE SPECIFIED ISO 2768-1 MEDIUM			
DRAWN XXX	CHECKED	APPROVED - DATE	FILENAME	DATE xx/xx/xx	SCALE N/A
CYMATIX		BRAKE			SHEET 1/1
		BPC-023-24-026			