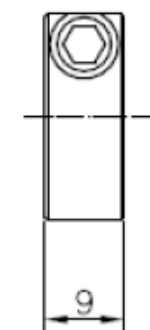
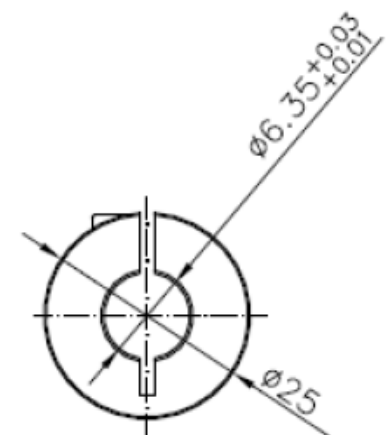
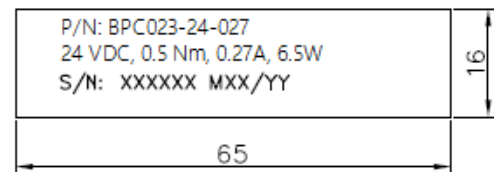
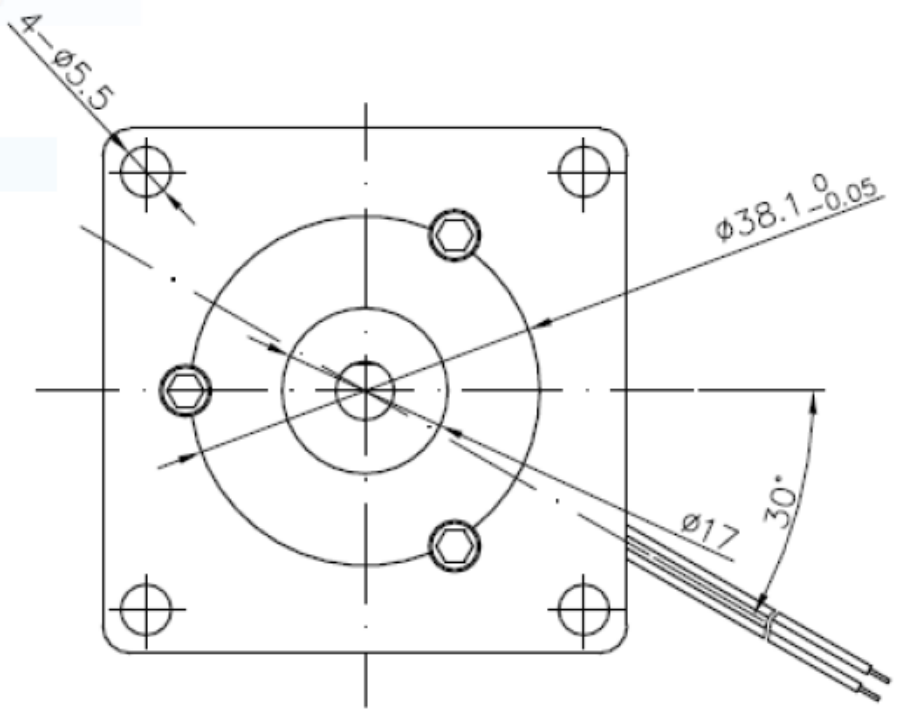
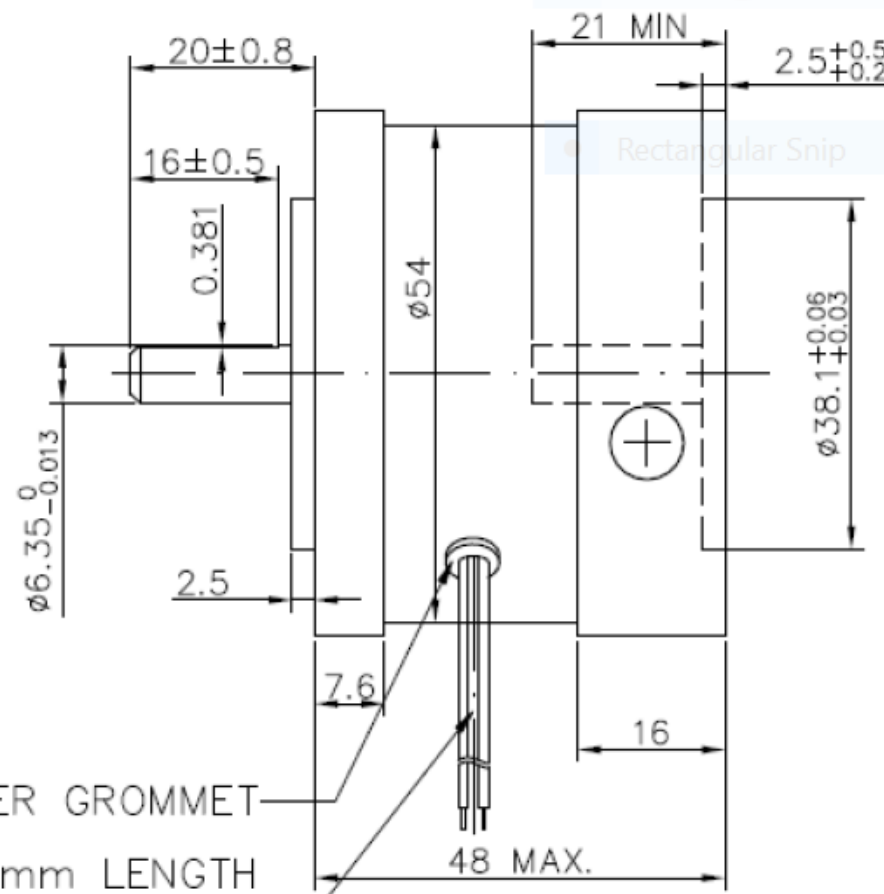
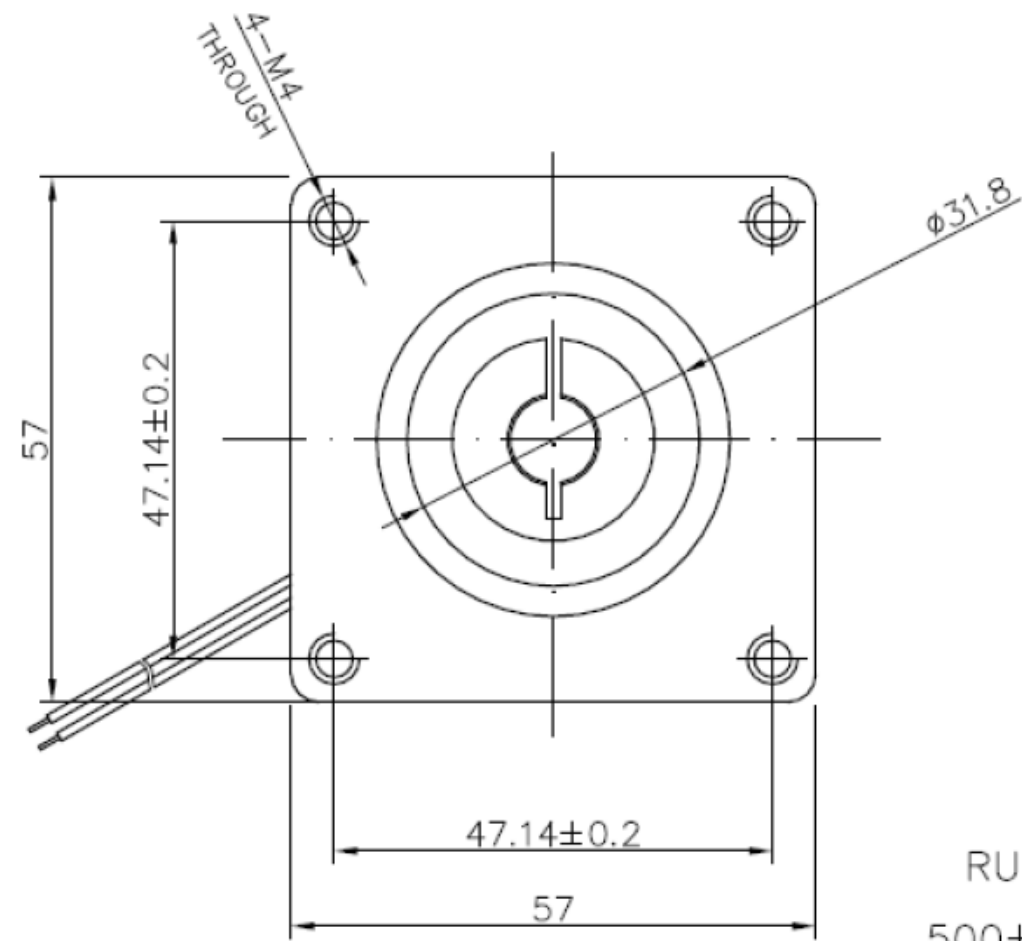
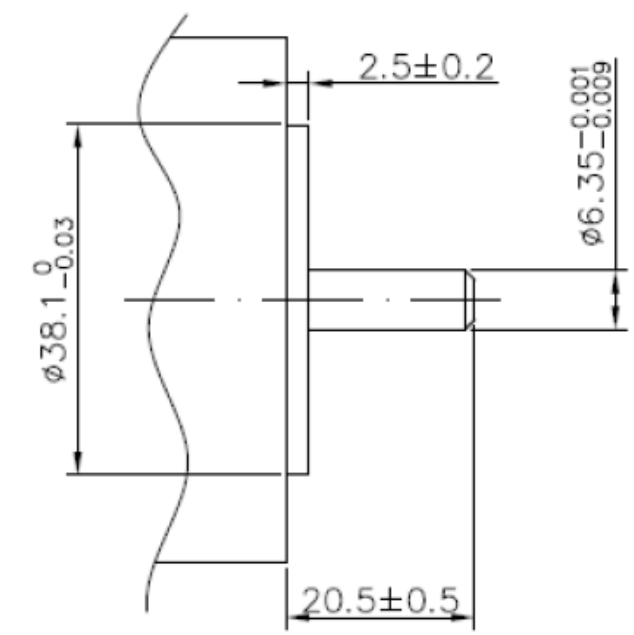


| REV | DESCRIPTION | DATE | APPROVE |
|-----|-------------|----------|---------|
| P1 | PRELIMINARY | 22/06/13 | ZZF |



MOTOR INTERFACE:



- NOTE:
- 1, VOLTAGE: 24VDC
 - 2, STATIC TORQUE: 0.5Nm Min.
 - 3, RATED CURRENT: 0.27A
 - 4, POWER: 6.5W
 - 5, RESISTENCE: 93 Ohms
 - 6, START VOLTAGE: 18VDCMAX.
 7. HI-POT: 500VAC/1S, 2mA
 8. POWER OFF BRAKE
 9. OFFER AN FIXED SCREW M4 WITH THE BRAKE

NOTE: THIS DRAWING HAS BEEN CREATED BY AUTOCADMANUAL REVISIONS ARE NOT ALLOWED.

| | | | | | |
|----------------|---------|---|----------|------------------|---------------|
| MATERIAL | | TOLERANCE UNLESS OTHERWISE SPECIFIED ISO 2768-1 MEDIUM | | | |
| DRAWN ZQY | CHECKED | APPROVED - DATE | FILENAME | DATE xx/xx/xx | SCALE N/A |
| CYMATIX | | BRAKE | | | SHEET 1/1 |
| | | | | | BPC023-24-027 |