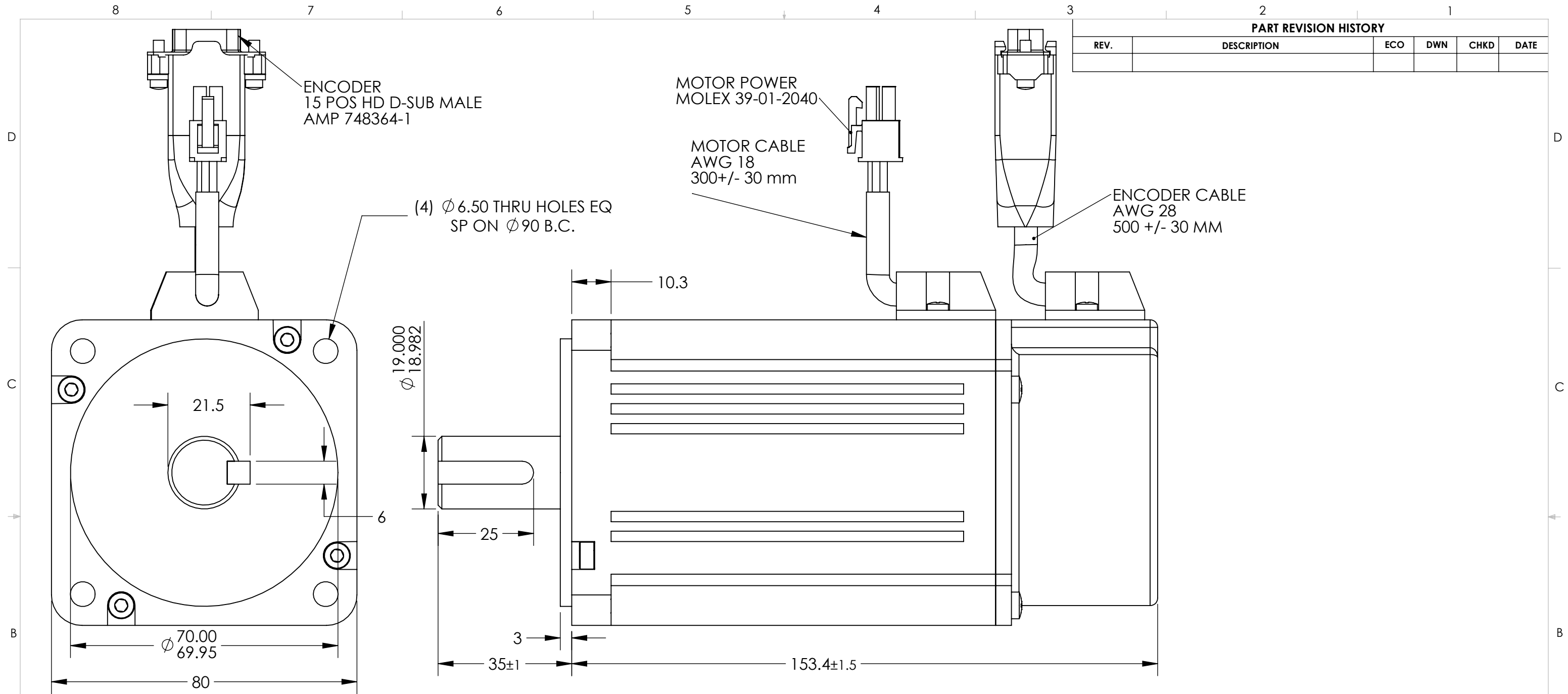


PART REVISION HISTORY					
REV.	DESCRIPTION	ECO	DWN	CHKD	DATE



MOTOR PARAMETERS		
		EP80-2B
SUPPLY VOLTAGE	VDC	160
MAX BUS VOLTAGE	VDC	310
RATE SPEED	RPM	3000
RATED TORQUE @ 3000 RPM	N-m	2.44
POWER @ RATED SPEED	WATTS	765
PEAK TORQUE	N-m	7.2
CONTINUOUS CURRENT 0-p	AMPS	6.4
PEAK CURRENT 0-p	AMPS	19
VOLTAGE CONSTANT, Ke rms	V/KRPM	43
TORQUE CONSTANT, Kt rms	N-m/A	0.411
RESISTANCE	OHM	2.4
INDUCTANCE	mH	6.5
MOMENT OF INERTIA	Kg-cm2	1.45
INSULATION CLASS		F
WEIGHT	Kg	2.8

FEEDBACK		
AMP 748364-1		
Pin	Color	Function
1	Red	5 vdc
2	Black	GND
3	Brown	Chl A
4	White	Chl A/
5	Blue	Chl B
6	Green	Chl B/
7	Orange	Index
8	Yellow	Index/
9		
10		
11	Violet	COMM A
12	WHT/BRN	COMM B
13	WHT/ORG	COMM C
14		
15	Shield	Shield

ENCODER SPECIFICATIONS	
TYPE	OPTICAL
OUTPUT TYPE	LINE DRIVER
LINE COUNT	5000
GATED	A / B AT 90 DEGREE
INPUT VOLTAGE	5 VDC +/- 5%
CURRENT	55 mA TYPICAL

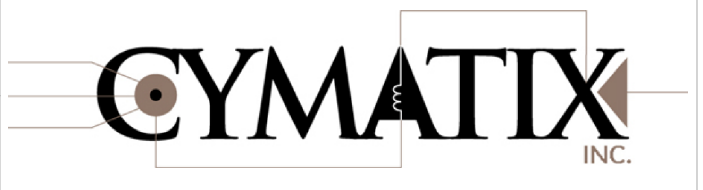
Motor leads		
Molex 39-01-2040		
Pin	Color	Function
1	Yellow	Phase U
2	Green	Phase V
3	Blue	Phase W
4	GRN/YEL	CASE

NOTE: Kt AND Ke BASED ON TRAPAZOIDAL DRIVE 8 POLE DESIGN

NOTICE ON REPRODUCTIONS
 THIS DRAWING THE DESIGN AND THE PATENTS IT COVERS ARE THE PROPERTY OF CYMATIX, INC., OR THEIR CUSTOMERS. THEY WILL NOT BE REPRODUCED, COPIED, LOANED, EXHIBITED NOR USED EXCEPT IN THE LIMITED WAY AND THE PRIVATE USE PERMITTED BY THE CONSENT GIVEN BY THE LENDER TO THE BORROWER.

TOLERANCES UNLESS OTHERWISE SPECIFIED (U.O.S.)

DECIMALS	C'BREAKS	FRAC.	MACH. FIN.
.XX = ± .01	.010/.020	1/64	125
.XXX = ± .005	FILLETS	ANGLES	
.XXXX = ± .0005	.020 MAX	1°	



MATERIAL		TITLE: BRUSHLESS DC MOTOR - ENCODER	
FINISH		PART NO. EP80-2B-MX5000-CN-XXX	
DRAWN: JPB	DATE: 03/22/17	SIZE: B	PART REV. A
CHECKED: TPB	DATE: 03/22/17	SCALE: NONE	SHEET 1 OF 1
		DWG. NO. R	