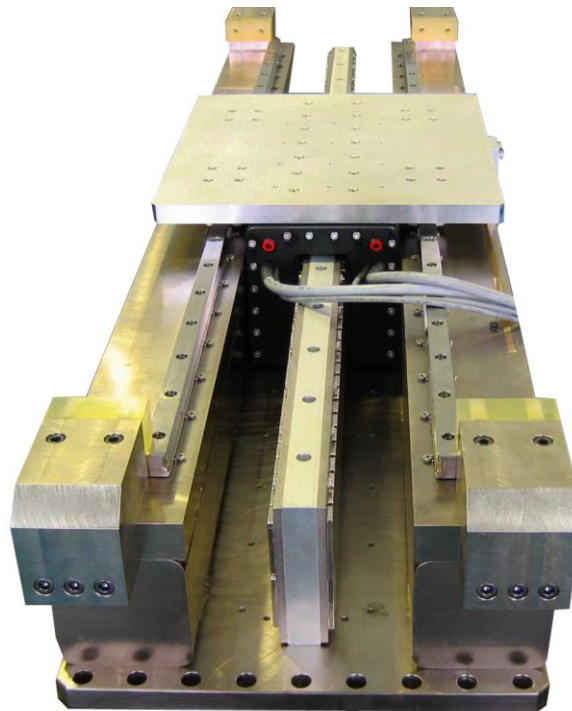


ACM-D Series **(Patented)**

High Force Iron Core Brushless Linear Motor



- Iron core technology
- Low cogging force
- Integrated with hall sensors
- High force
- Zero net attraction force

ACM2-D Specifications

Model		ACM2-D-S1	ACM2-D-W-S1	ACM2-D-S2	ACM2-D-W-S2
		Air Convection	Water Cooled	Air Convection	Water Cooled
Performance Parameters	Unit	Parallel	Parallel	Parallel	Parallel
Continuous Force, coil @100 °C	N	304	609	609	1,217
Continuous Force, coil @130 °C	N	336	672	672	1,344
Peak Force	N	913	913	1,826	1,826
Motor Constant	N/SqRt(W)	25.1	25.1	35.4	35.4
Continuous Power	W	147	590	295	1,180
Peak Power	W	1,327	1,327	2,654	2,654
Magnetic Period	mm	42	42	42	42
Max Coil Temperature	°C	130	130	130	130
Continuous Current@100 °C	Arms	4.8	9.6	9.6	19.2
Continuous Current@130 °C	Arms	5.3	10.6	10.6	21.2
Peak Current	Arms	14.4	14.4	28.8	28.8
Force Constant	N/Arms	63.4	63.4	63.4	63.4
Back EMF Constant	Vpeak/(m/s)	51.8	51.8	51.8	51.8
Inductance	mH	56.0	56.0	28.0	28.0
Phase Resistance @25 °C	Ohms	6.40	6.40	3.20	3.20
Magnetic Attraction	KN	0	0	0	0

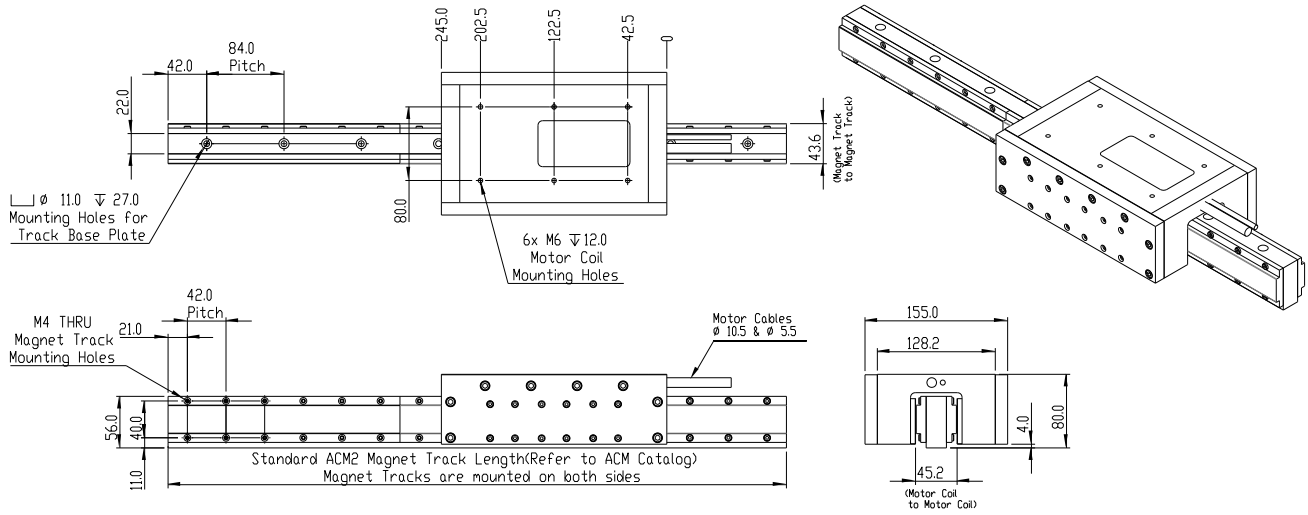
Motor Coil

Size	Length (mm)	Mass (Kg)
S1	245.0	7.0
S2	413.0	13.1

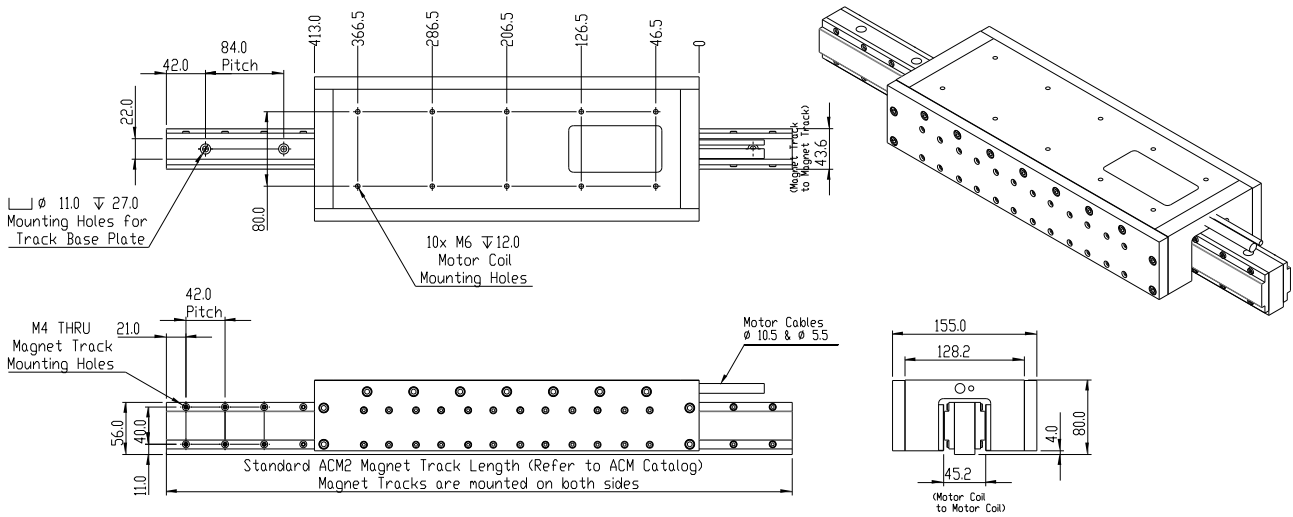
Motor Track

Size	Length (mm)	Mass (Kg)
TL252	252.0	2.0
TL420	420.0	3.5
TL504	504.0	4.0
TL672	672.0	5.5
TL840	840.0	7.1

ACM2-D-S1 Coil and Track



ACM2-D-S2 Coil and Track



Part Numbering

Motor Coil

Model	Segment	Thermal Sensor	Cable Length (m)
ACM2-D	S1 or S2	J- Thermostat (standard)	2.0, 3.0 or 5.0
		K- Thermocouple	

Motor Track

Model	Track Length
ACM2-D	TL252
	TL420
	TL504
	TL672
	TL840

ACM3-D Specifications

Model		ACM3-D-S1	ACM3-D-W-S1	ACM3-D-S2	ACM3-D-W-S2
		Air Convection	Water Cooled	Air Convection	Water Cooled
Performance Parameters	Unit	Parallel	Parallel	Parallel	Parallel
Continuous Force, coil @100 °C	N	586	1,171	1,171	2,342
Continuous Force, coil @130 °C	N	647	1,293	1,293	2,586
Peak Force	N	1,757	1,757	3,514	3,514
Motor Constant	N/SqRt(W)	41.6	41.6	58.8	58.8
Continuous Power	W	198	793	396	1,585
Peak Power	W	1,783	1,783	3,567	3,567
Magnetic Period	mm	42	42	42	42
Max Coil Temperature	°C	130	130	130	130
Continuous Current@100 °C	Arms	4.8	9.6	9.6	19.2
Continuous Current@130 °C	Arms	5.3	10.6	10.6	21.2
Peak Current	Arms	14.4	14.4	28.8	28.8
Force Constant	N/Arms	122.0	122.0	122.0	122.0
Back EMF Constant	Vpeak/(m/s)	99.6	99.6	99.6	99.6
Inductance	mH	76.0	76.0	38.0	38.0
Phase Resistance @25 °C	Ohms	8.60	8.60	4.30	4.30
Magnetic Attraction	KN	0	0	0	0

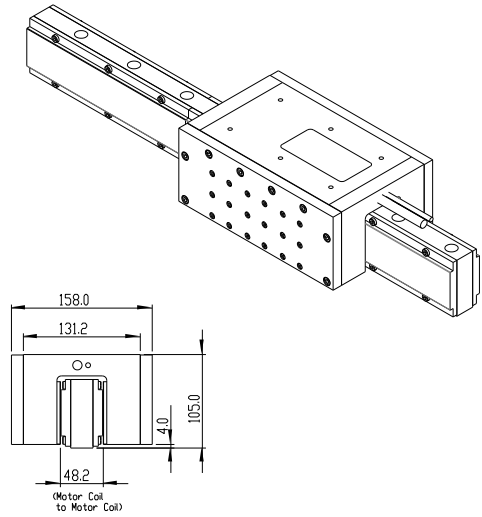
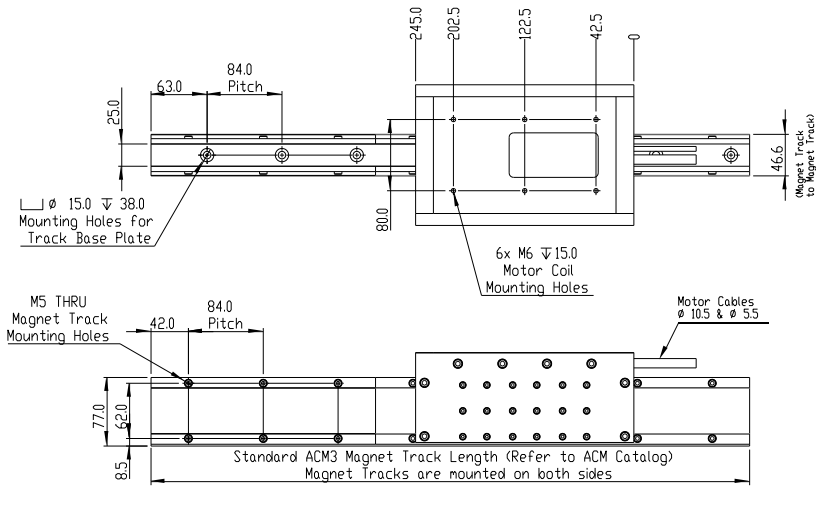
Motor Coil

Size	Length (mm)	Mass (Kg)
S1	245.0	9.7
S2	413.0	17.5

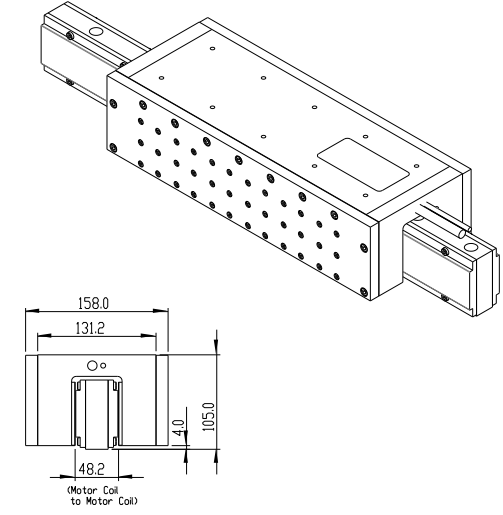
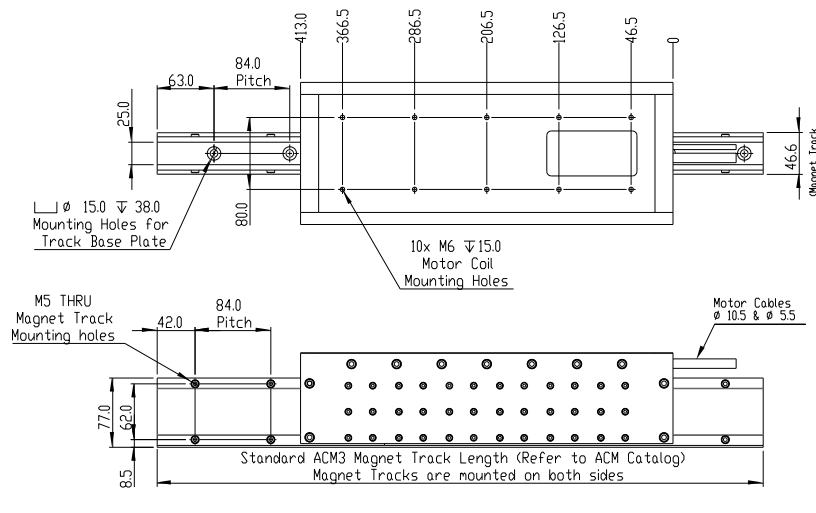
Motor Track

Size	Length (mm)	Mass (Kg)
TL252	252.0	3.6
TL420	420.0	6.0
TL504	504.0	7.3
TL672	672.0	9.7
TL840	840.0	12.1

ACM3-D-S1 Coil and Track



ACM3-D-S2 Coil and Track



Part Numbering

Motor Coil

Model	Segment	Thermal Sensor	Cable Length (m)
ACM3-D	S1 or S2	J- Thermostat(standard)	2.0, 3.0 or 5.0
		K- Thermocouple	

Motor Track

Model	Track Length
ACM3-D	TL252
	TL420
	TL504
	TL672
	TL840

ACM4-D Specifications

Model		ACM4-D-S1	ACM4-D-W-S1	ACM4-D-S2	ACM4-D-W-S2
		Air Convection	Water Cooled	Air Convection	Water Cooled
Performance Parameters	Unit	Parallel	Parallel	Parallel	Parallel
Continuous Force, coil @100 °C	N	1,171	2,342	2,342	4,685
Continuous Force, coil @130 °C	N	1,293	2,586	2,586	5,173
Peak Force	N	3,514	3,514	7,027	7,027
Motor Constant	N/SqRt(W)	64.1	64.1	90.7	90.7
Continuous Power	W	334	1,334	667	2,669
Peak Power	W	3,003	3,003	6,005	6,005
Magnetic Period	mm	42	42	42	42
Max Coil Temperature	°C	130	130	130	130
Continuous Current@100 °C	Arms	9.6	19.2	19.2	38.4
Continuous Current@130 °C	Arms	10.6	21.2	21.2	42.4
Peak Current	Arms	28.8	28.8	57.6	57.6
Force Constant	N/Arms	122.0	122.0	122.0	122.0
Back EMF Constant	Vpeak/(m/s)	99.6	99.6	99.6	99.6
Inductance	mH	38.0	38.0	19.0	19.0
Phase Resistance @25 °C	Ohms	3.62	3.62	1.81	1.81
Magnetic Attraction	KN	0	0	0	0

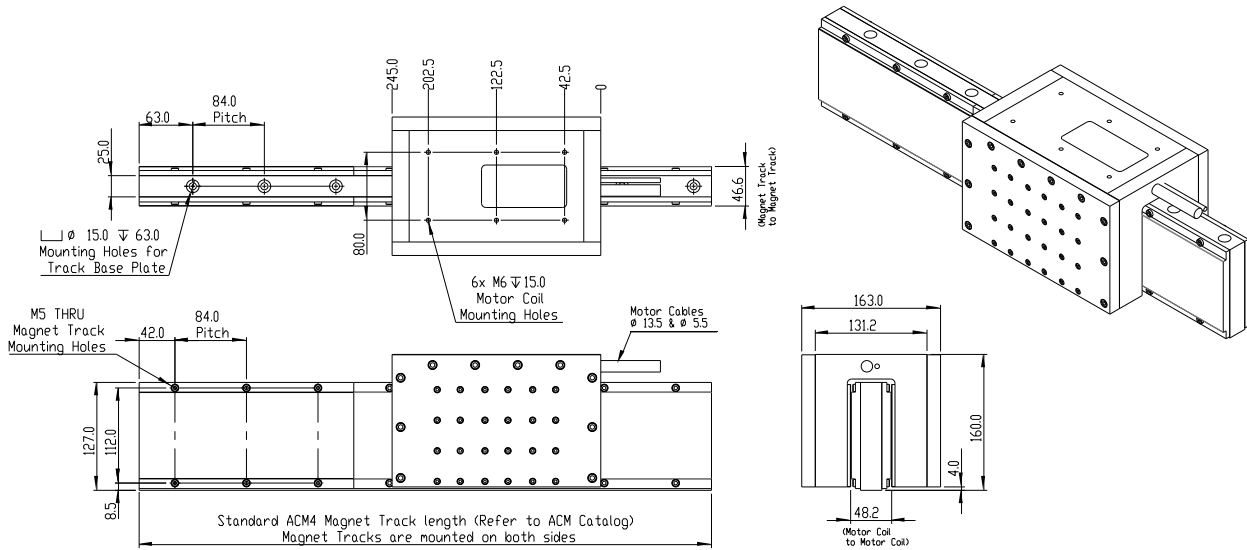
Motor Coil

Size	Length (mm)	Mass (Kg)
S1	245.0	17.8
S2	413.0	32.1

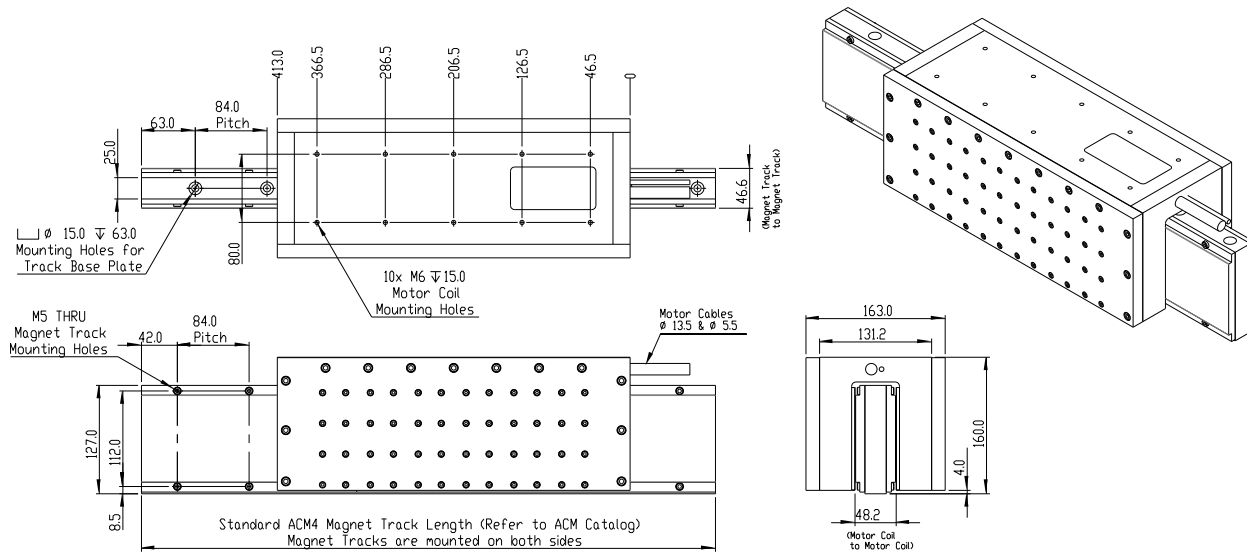
Motor Track

Size	Length (mm)	Mass (Kg)
TL252	252.0	6.4
TL420	420.0	10.6
TL504	504.0	12.9
TL672	672.0	17.0
TL840	840.0	21.2

ACM4-D-S1 Coil and Track



ACM4-D-S2 Coil and Track



Part Numbering

Motor Coil

Model	Segment	Thermal Sensor	Cable Length (m)
ACM4-D	S1 or S2	J- Thermostat(standard)	2.0, 3.0 or 5.0
		K- Thermocouple	

Motor Track

Model	Track Length
ACM4-D	TL252
	TL420
	TL504
	TL672
	TL840